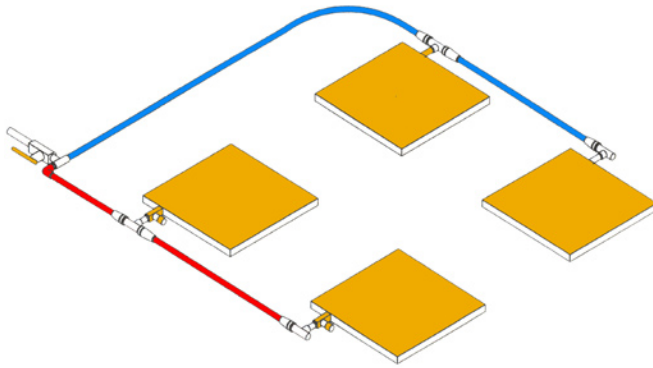


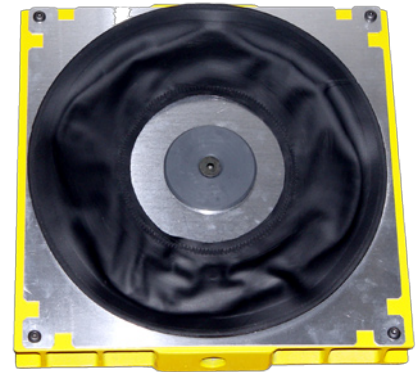
Air Powered Load Moving Equipment to the Material Handling Industry

B-Type Air Bearing & Module Technical Specifications

Standard Square Aluminum Modules



Typical B-bearing system footprint



B-bearing fitted to Standard SA module

MODEL	BEARING	CAPACITY	DIMENSIONS IN CM / MM			FLOW SCFM / LPM		LOAD PAD	APPROXIMATE WEIGHTS	
			Bearing Diameter centimetres	Height Air Off millimetres	Height Air On millimetres	Half Load scfm / lpm	Full Load scfm / lpm		Square centimetres	Module Weight in kgs
SA12-B	B12N	900	30	48	66	8 / 227	12 / 340	20	3.2	1
SA15-B	B15N	1590	38	51	74	8 / 227	14 / 396	35	5	1.4
SA21-B	B21N	3180	53	51	79	14 / 396	16 / 453	35	10	1.8
SA27-B	B27N	5450	68	53	86	16 / 453	18 / 510	193	23	6
SA27-BHD	B27HD	10900	68	53	86	20 / 566	40 / 1132	193	23	6
SA36-B	B36N	9090	91	66	109	17 / 481	24 / 680	775	41	16
SA36-BHD	B36HD	18180	91	66	109	22 / 623	45 / 1274	775	43	19
SA48-B	B48N	18180	122	66	130	18 / 510	26 / 736	940	77	28
SA48-BHD	B48HD	36360	122	66	130	40 / 1132	50 / 1416	940	81	33

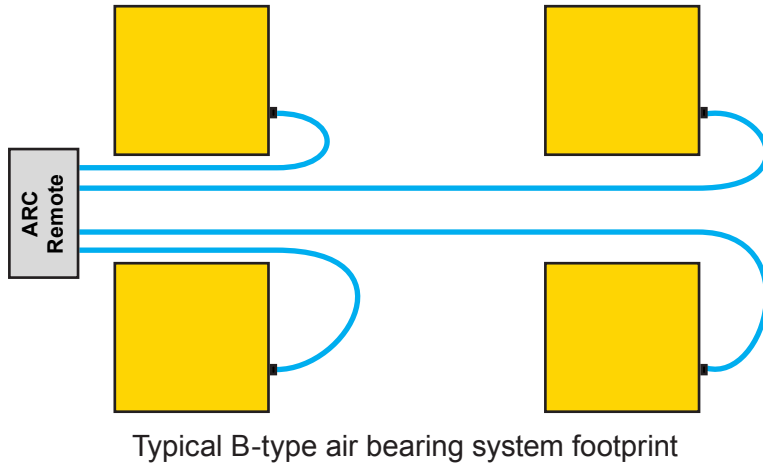
For comprehensive information on air film technology and how air bearings work, check out the manufacturer's web site: www.hovair.com

Contact Your
Local Dealer

Toolern Engineering Supplies Pty Ltd. P.O. Box 249, Melton, Victoria, Australia 3337
Phone: 03 9743 1209 • Fax: 03 9747 0973 • Email: info@toolern.com.au • Web site: www.toolern.com.au

B-Type Air Bearing & Module Technical Specifications

Low Profile Square Aluminum Modules



B-type air bearing fitted to low profile aluminum module

MODEL	BEARING	CAPACITY	DIMENSIONS IN CM / MM			FLOW SCFM / LPM		LOAD PAD	APPROXIMATE WEIGHTS	
			Diameter centimetres	Height Air Off mm	Height Air On mm	Half Load scfm / lpm	Full Load scfm / lpm		Square Centimetres	Module Kilograms
LP12-B	B12N	900	30	32	51	6 / 170	12 / 340	17	5	1
LP15-B	B15N	1590	38	32	54	8 / 226	16 / 453	50	8	1
LP21-B	B21N	3180	53	35	60	10 / 283	20 / 566	98	14	1.5
LP27-B	B27N	5450	69	44	79	11 / 311	22 / 623	254	25	3
LP27-BHD	B27HD	10900	69	44	79	20 / 566	40 / 1132	254	25	3
LP36-B	B36N	9090	91	51	95	12 / 340	24 / 680	417	35	6
LP36-BHD	B36HD	18180	91	51	95	24 / 680	48 / 1360	417	35	6
LP48-B	B48N	18180	122	51	114	14 / 396	28 / 793	734	55	12
LP48-BHD	B48HD	80,000	48	2	4½	26	52	289	120	26½

For comprehensive information on air film technology and how air bearings work, check out the manufacturer's web site: www.hovair.com

Contact Your Local Dealer

Toolern Engineering Supplies Pty Ltd. P.O. Box 249, Melton, Victoria, Australia 3337
 Phone: 03 9743 1209 • Fax: 03 9747 0973 • Email: info@toolern.com.au • Web site: www.toolern.com.au