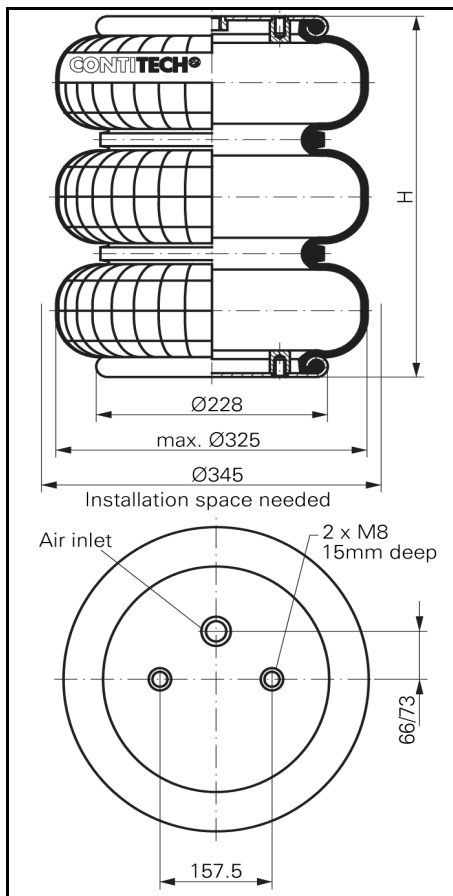
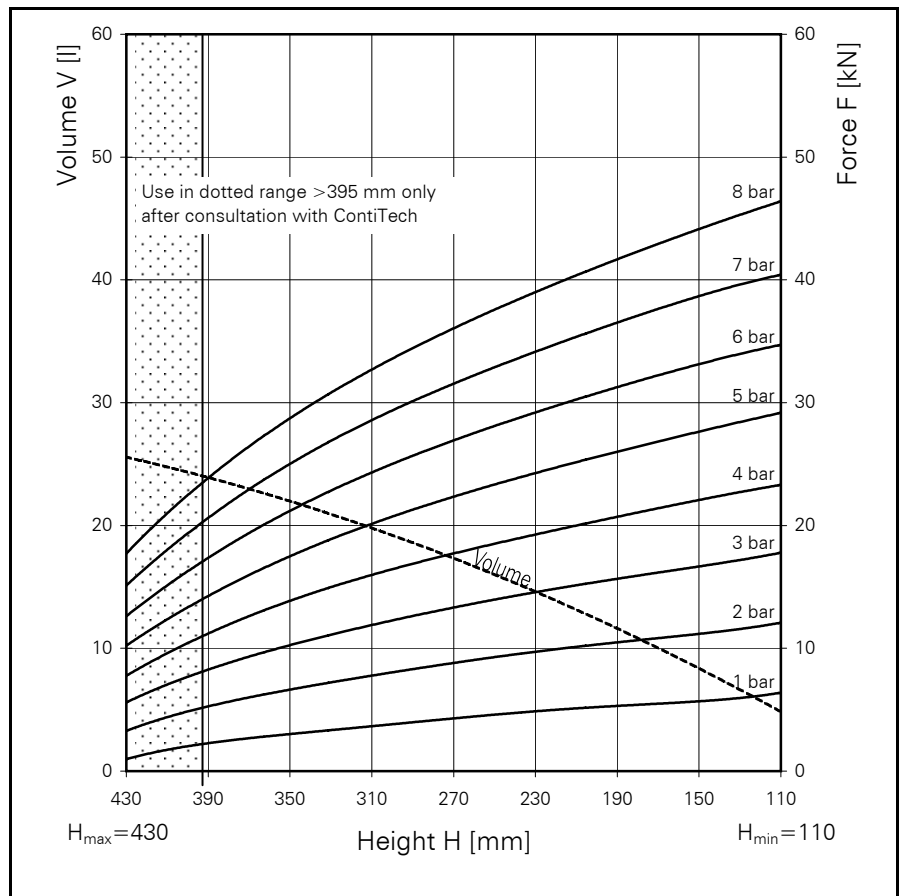


FT 330-29

CONTI® Triple Convolution Air Spring



FT 330-29



Force-height diagram

Purchase order data

Type	Order No.
Rubber bellows only	61833
With clamped plates G 1 air inlet 66 mm excentric	61830
With clamped plates G 1/4 air inlet 73 mm excentric	61831

Technical data

Min. pressure	0 bar
Return force to min. height	≤ 400 N
Overall weight with clamped plates	5.9 kg

Additional types on request

Pneumatic application - static characteristic values

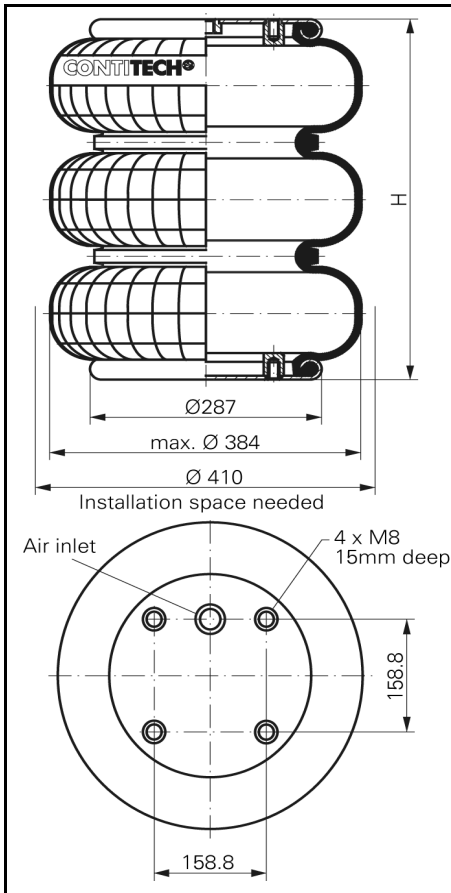
Force F [kN]

Pressure p [bar]	3	4	5	6	7	8	Vol.[l]	
Height H [mm]	380	8.8	11.9	15.1	18.4	21.7	25.1	23.6
	340	10.7	14.4	18.2	22.0	25.9	29.8	21.6
	300	12.3	16.5	20.8	25.1	29.5	33.7	19.2
	260	13.7	18.2	22.9	27.6	32.3	36.9	16.6
	220	14.8	19.5	24.6	29.6	34.6	39.5	13.8
	180	15.9	21.1	26.5	31.8	37.2	42.4	10.7
	140	17.0	22.4	28.1	33.6	39.1	44.7	7.5

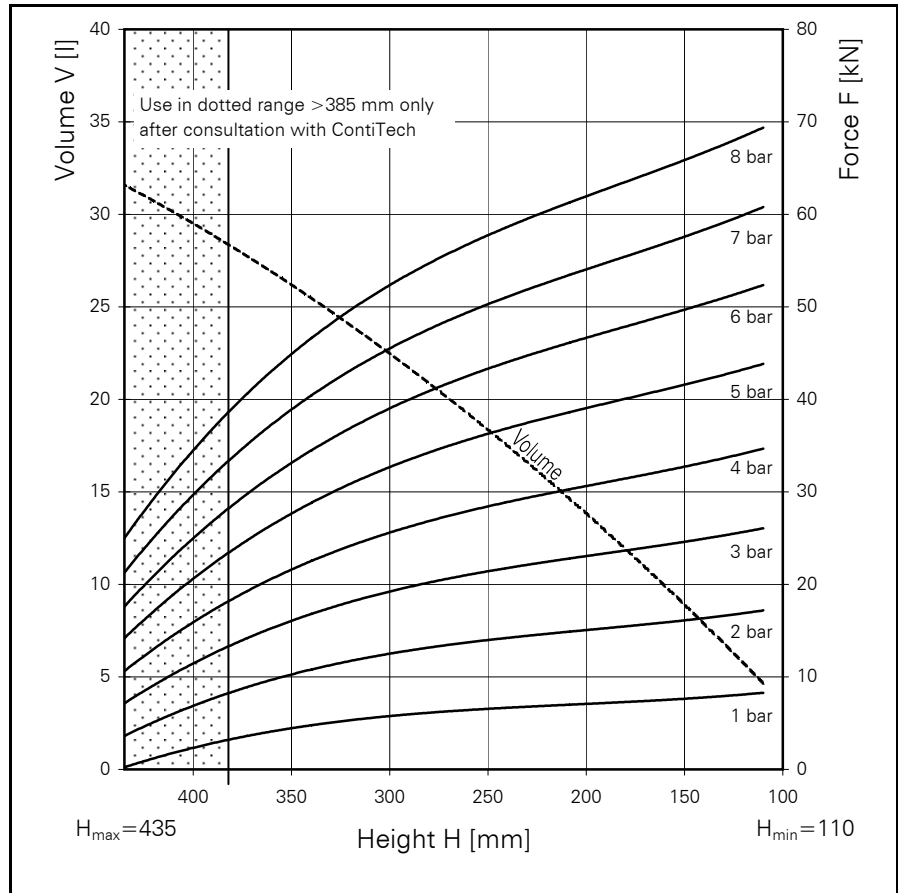


Service instructions
 M 8 = 25 Nm
 G 1/4 = 25 Nm
 G 1 = 50 Nm

FT 530-32 CONTI® Triple Convolution Air Spring



FT 530-32



Force-height diagram

Purchase order data

Type	Order No.
Rubber bellows only	on request
With clamped plates G 1/4 air inlet 79.4 mm excentrical	60717
With clamped plates G 1 air inlet 79.4 mm excentrical	on request

Technical data

Min. pressure	0 bar
Return force to min. height	≤ 500 N
Overall weight with clamped plates	8.0 kg

Additional types on request

Pneumatic application - static characteristic values

Force F [kN]

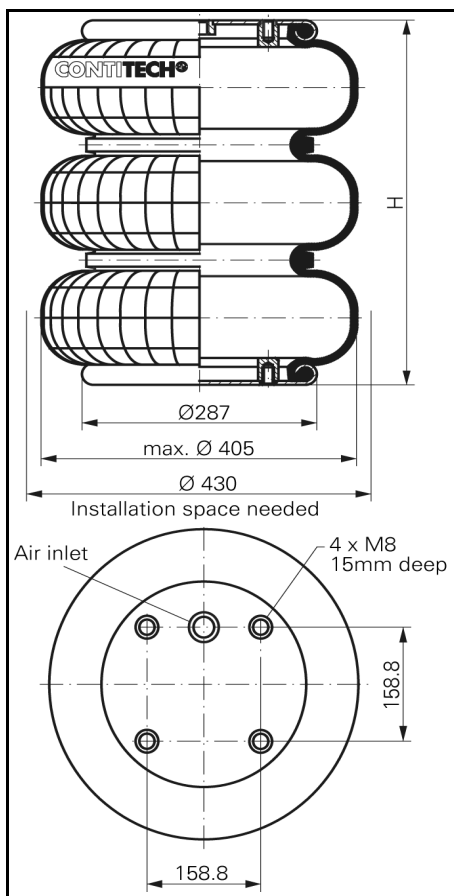
Pressure p [bar]	3	4	5	6	7	8	Vol.[l]	
Height H [mm]	360	15.4	20.8	26.6	32.0	37.3	43.2	26.8
	320	18.1	24.1	30.9	37.0	43.1	49.5	24.0
	280	20.2	26.7	34.1	40.8	47.6	54.6	20.9
	240	21.7	28.9	36.9	44.1	51.1	58.8	17.5
	200	23.1	30.6	39.0	46.6	54.0	62.0	14.0
	160	24.4	32.3	41.2	49.1	57.0	65.1	10.0
	120	25.7	34.2	43.4	51.7	60.0	68.5	5.5



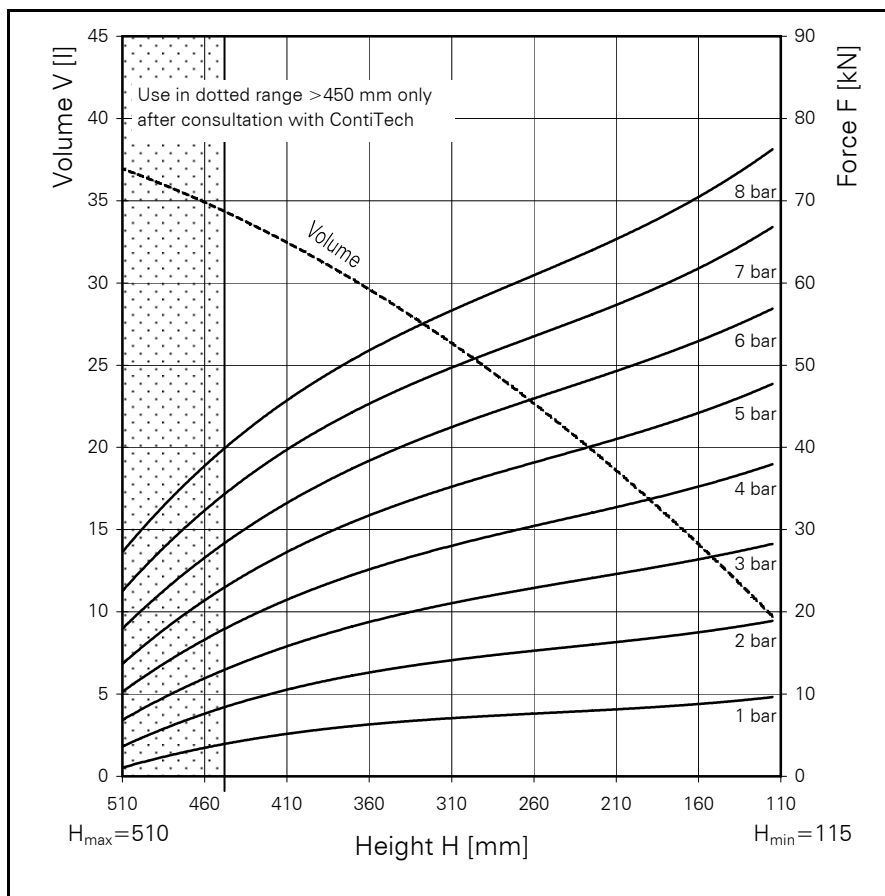
Service instructions
 M8 = 25 Nm
 G 1/4 = 25 Nm
 G 1 = 50 Nm

FT 530-35

CONTI® Triple Convolution Air Spring



FT 530-35



Force-height diagram

Purchase order data

Type	Order No.
Rubber bellows only	62854
With clamped plates G 1 air inlet 79.4 mm excentrical	61330
With clamped plates G 1/4 air inlet 79.4 mm excentrical	61366

Technical data

Min. pressure	0 bar
Return force to min. height	≤ 500 N
Overall weight with clamped plates	9.5 kg

Additional types on request

Pneumatic application - static characteristic values

Force F [kN]

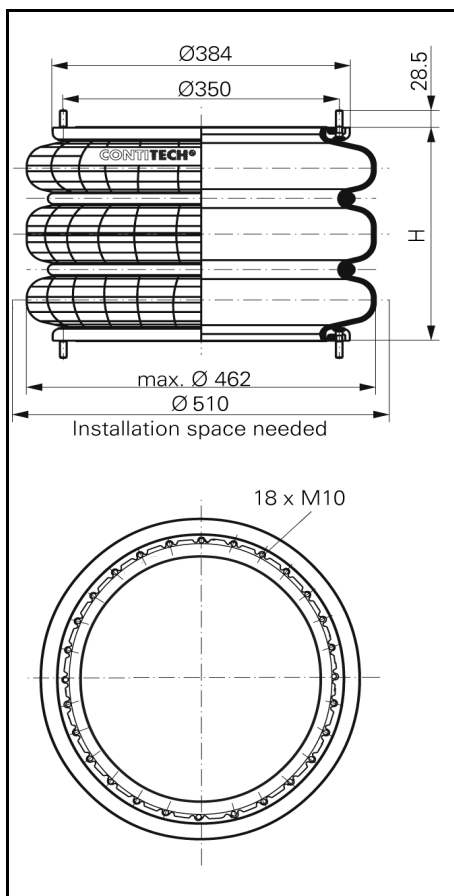
Pressure p [bar]	3	4	5	6	7	8	Vol.[l]	
Height H [mm]	380	17.7	23.8	30.0	36.4	42.9	49.1	31.0
	300	21.3	28.4	36.1	43.4	50.7	58.0	25.4
	220	24.3	32.3	40.4	48.5	56.6	64.6	19.4
	140	27.3	36.3	45.4	54.5	63.4	72.0	12.4



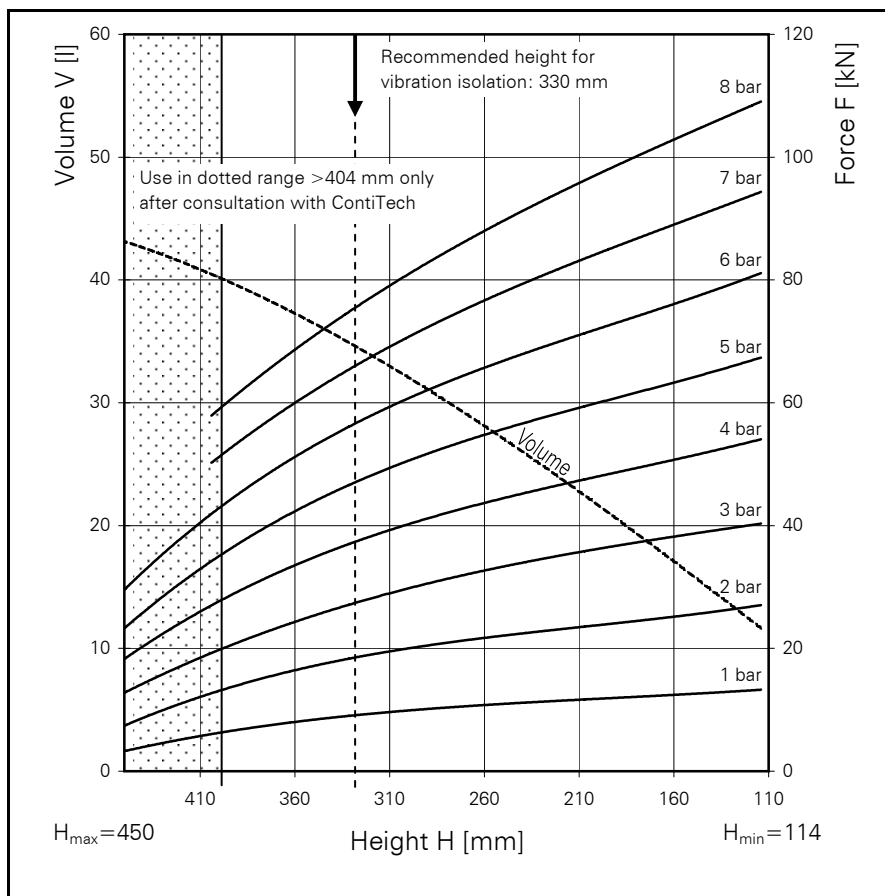
Service instructions
 M8 = 25 Nm
 G 1/4 = 25 Nm
 G 1 = 50 Nm

FT 960-34

CONTI® Triple Convolution Air Spring



FT 960-34



Force-height diagram

Purchase order data

Type	Order No.
Rubber bellows only	61777
Bellows with bead rings 45 mm bolts, nuts and washers	61909

Additional types on request

Technical data

Min. pressure	0 bar
Return force to min. height	≤ 600 N
Overall weight with bead rings, bolts, nuts and washers	9.3 kg

Vibration isolation - dynamic characteristic values

Design height H: recommended 330mm, minimum 315mm

Pressure p [bar]	3	4	5	6	7	8	Vol V [l]
Force (Load) [kN]	27.9	38.0	46.6	56.8	66.3	73.9	
Spring rate [N/cm]	2180	2810	3300	4010	4640	5130	
Natural frequency [Hz]	1.4	1.4	1.3	1.3	1.3	1.3	

Pneumatic application - static characteristic values

Force F [kN]

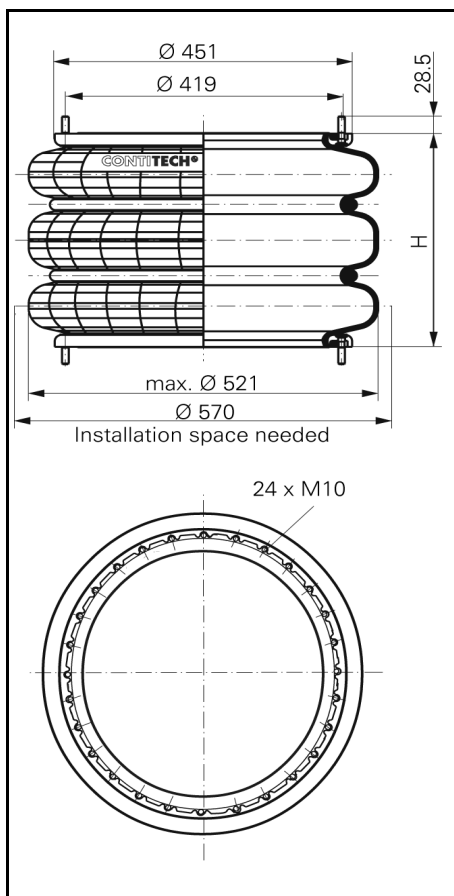
Pressure p [bar]	3	4	5	6	7	8	Vol.[l]	
Height H [mm]	404	19.2	27.3	34.4	42.1	50.3	58.0	40.25
	360	24.2	33.6	42.1	51.0	59.8	68.4	37.2
	320	28.3	38.0	48.3	57.9	67.3	77.2	34.0
	280	31.3	42.0	52.6	63.3	74.0	84.72	30.3
	240	33.9	45.1	56.7	68.1	79.6	91.3	26.1
	200	36.0	47.8	59.8	71.8	83.9	96.9	21.5
	160	38.4	51.3	63.5	76.2	89.1	103.0	17.0



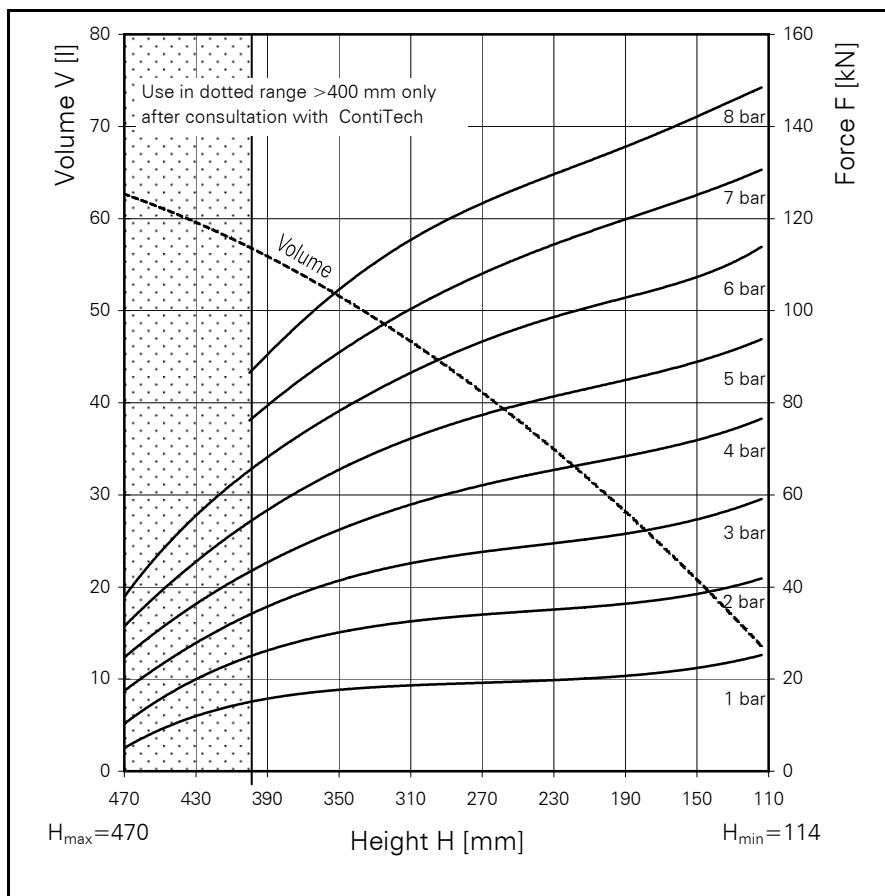
Service instructions
M 10 = 40 Nm

FT 1330-35

CONTI® Triple Convolution Air Spring



FT 1330-35



Force-height diagram

Purchase order data

Type	Order No.
Rubber bellows only	61780
Bellows with bead rings 45 mm bolts, nuts and washers	61910

Technical data

Min. pressure	0 bar
Return force to min. height	≤ 311 N
Overall weight with bead rings, bolts, nuts and washers	12.5 kg

Additional types on request

Pneumatic application - static characteristic values

Force F [kN]

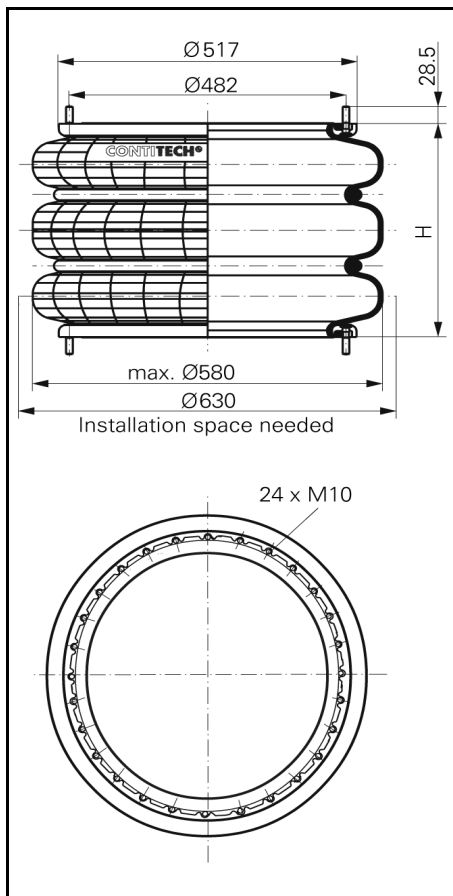
Pressure p [bar]	3	4	5	6	7	8	Vol.(l)	
Height H [mm]	390	35.8	45.5	56.4	68.5	79.7	90.8	55.3
	350	41.3	52.7	65.6	77.8	90.5	104.6	51.4
	310	45.2	58.0	72.5	86.6	100.3	115.6	46.9
	270	47.3	62.2	77.5	93.5	108.0	123.4	41.7
	230	49.7	65.6	81.3	98.5	114.4	129.7	35.4
	190	51.7	68.1	84.5	102.8	119.8	135.3	28.5
	150	54.5	72.1	89.5	107.4	125.2	142.5	20.7



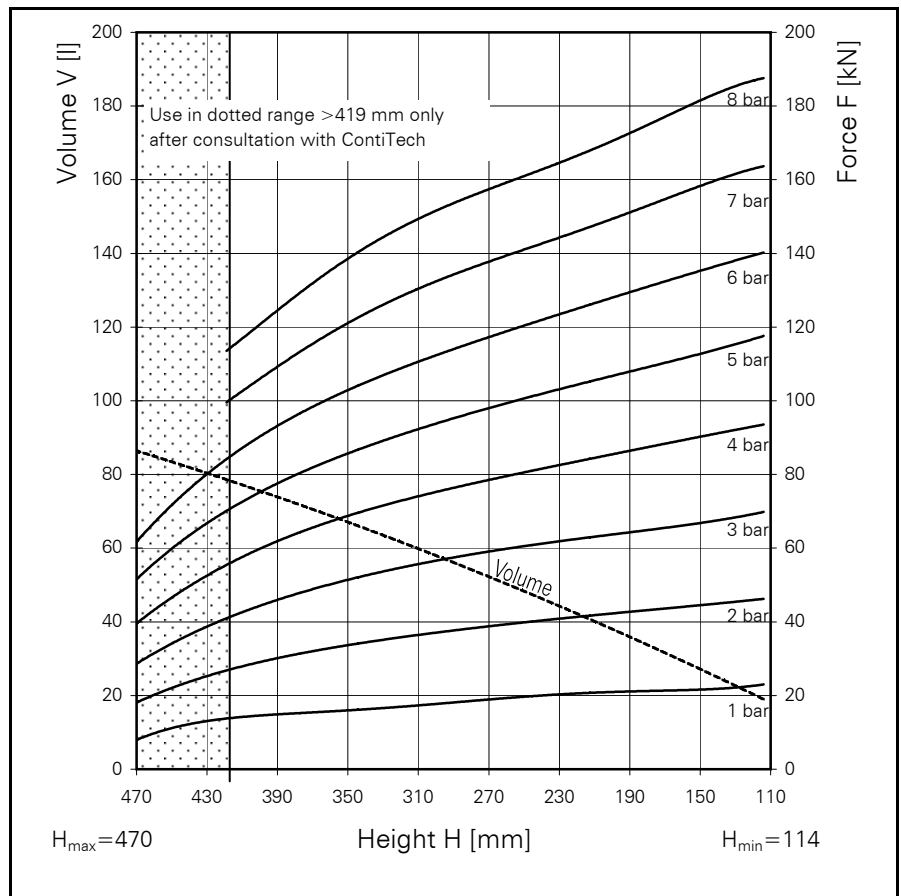
Service instructions
M 10 = 40 Nm

FT 1710-38

CONTI® Triple Convolution Air Spring



FT 1710-38



Force-height diagram

Purchase order data

Type	Order No.
Rubber bellows only	61784
Bellows with bead rings 45mm bolts, nuts and washers	61911

Technical data


Min. pressure	0 bar
Return force to min. height	≤ 400 N
Overall weight with bead rings, bolts, nuts and washers	14.5 kg

Additional types on request

Pneumatic application - static characteristic values

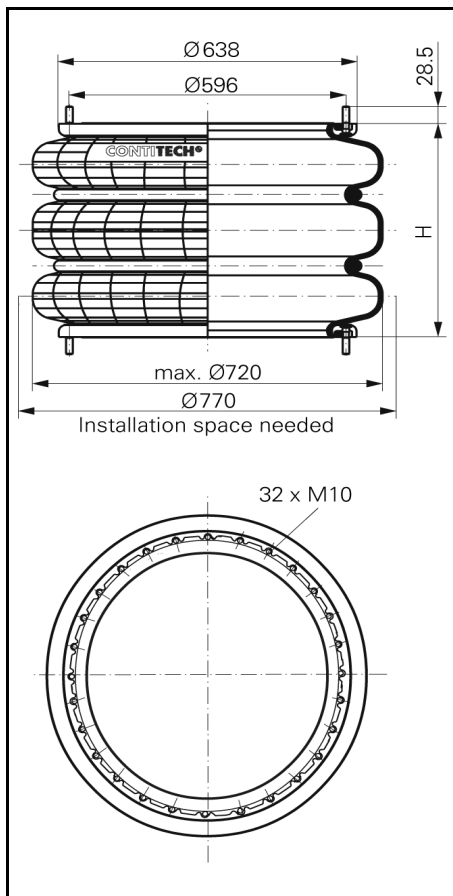
Force F [kN]

Pressure p [bar]	3	4	5	6	7	8	Vol.(l)
Height H [mm]	390	45.3	61.8	77.3	93.3	110.0	74.0
	350	51.3	68.9	85.3	103.0	121.0	67.0
	310	56.5	74.0	92.3	111.0	130.0	60.0
	270	59.8	78.7	98.1	118.0	138.0	52.0
	230	61.1	82.6	103.0	123.0	144.0	44.0
	190	63.9	86.2	108.0	129.0	151.0	36.0
	150	67.5	90.4	113.0	135.0	159.0	27.0

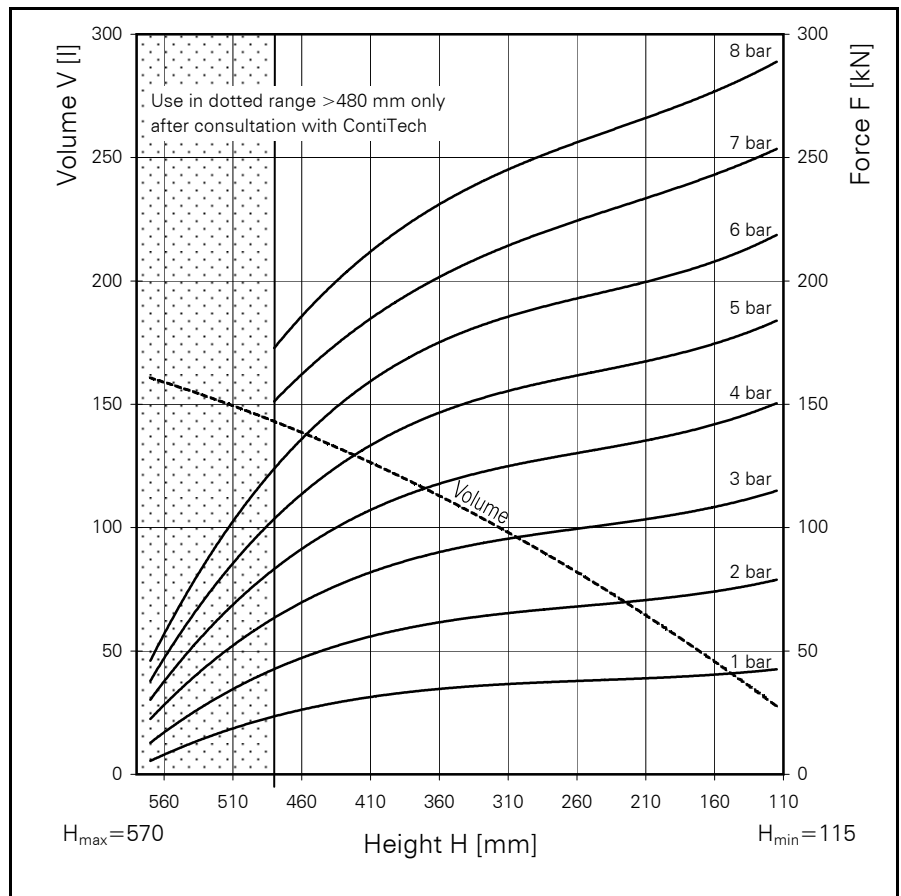
 Service instructions
M 10 = 40 Nm

FT 2870-45

CONTI® Triple Convolution Air Spring



FT 2870-45



Force-height diagram

Purchase order data

Type	Order No.
Rubber bellows only	61790
With bead rings, 45 mm bolts, nuts, washers	61912

Technical data


Min. pressure	0 bar
Return force to min. height	≤ 800 N
Overall weight with bead rings, bolts, nuts and washers	17.0 kg

Additional types on request

Pneumatic application - static characteristic values

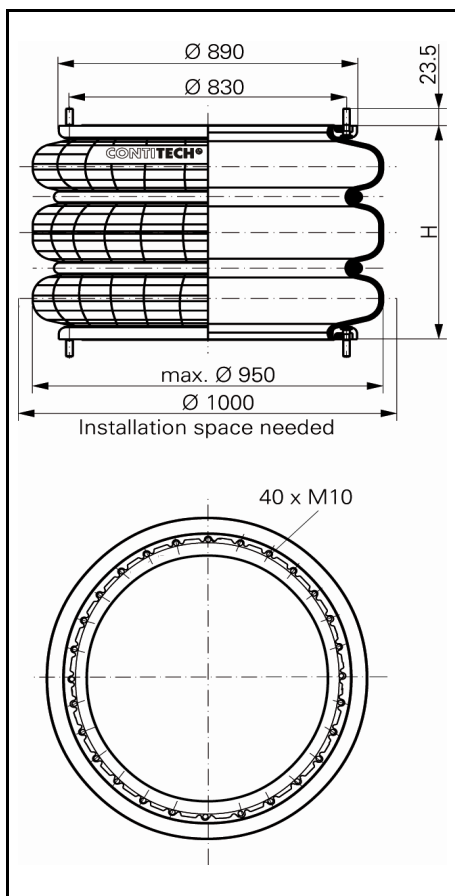
Force F [kN]

Pressure p [bar]	3	4	5	6	7	8	Vol.[l]	
Height H [mm]	480	65.5	85.0	106.0	126.0	151.0	173.0	145.0
	400	83.0	109.0	135.0	162.0	189.0	216.0	125.0
	320	95.0	123.0	153.0	183.0	213.0	243.0	102.0
	240	101.0	133.0	164.0	196.0	227.0	261.0	73.0
	160	110.0	142.0	177.0	210.0	244.0	277.0	41.0

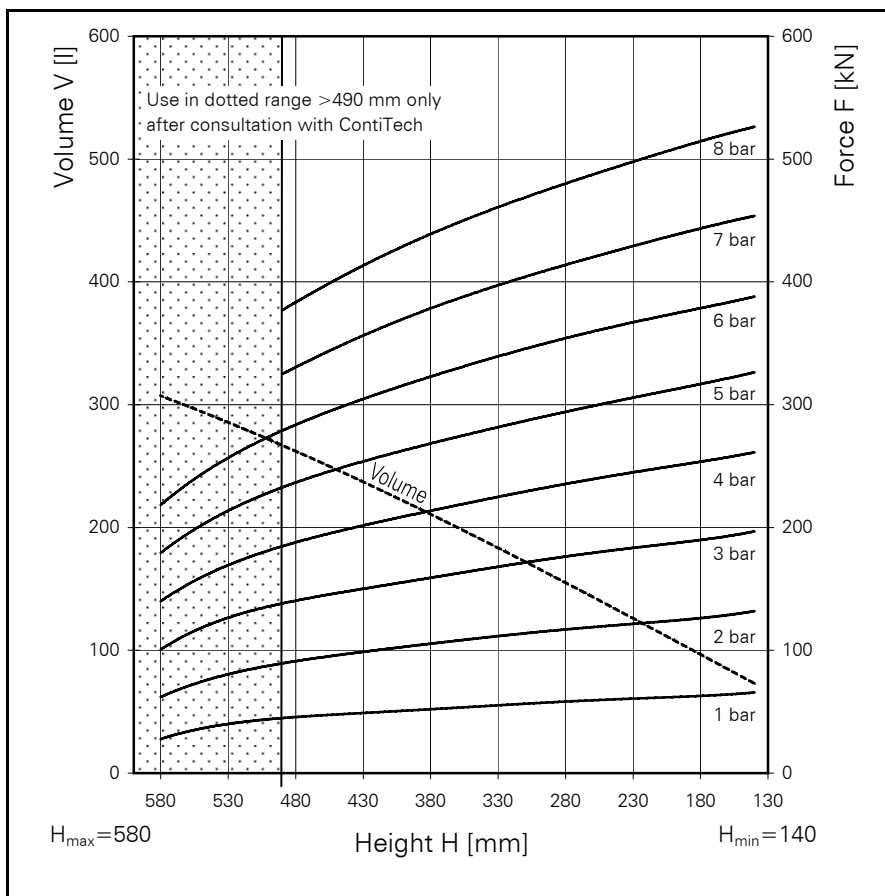
 Service instructions
M10 = 40 Nm

FT 5450-44

CONTI® Triple Convolution Air Spring



FT 5450-44



Force-height diagram

Purchase order data

Type	Order No.
Rubber bellows only	61787
Bellows with bead rings 45mm bolts, nuts and washers	61913

Technical data

Min. pressure	0 bar
Return force to min. height	≤ 1690 N
Overall weight with bead rings, bolts, nuts and washers	44.0 kg

Additional types on request

Pneumatic application - static characteristic values

Force F [kN]

Pressure p [bar]	3	4	5	6	7	8	Vol. (l)
Height H [mm]	440	148.0	198.4	249.9	300.2	351.2	243.5
	400	155.5	209.2	263.7	316.5	370.3	221.0
	360	163.0	218.8	274.2	330.1	386.2	199.1
	320	170.0	227.1	284.6	342.5	400.7	176.9
	280	176.1	235.0	293.1	353.7	413.8	155.1
	240	181.9	243.2	303.6	364.0	425.9	132.4
	200	187.3	250.0	312.6	375.0	438.8	109.8
	160	193.2	257.7	321.8	382.9	448.0	85.1



Service instructions
M 10 = 40 Nm