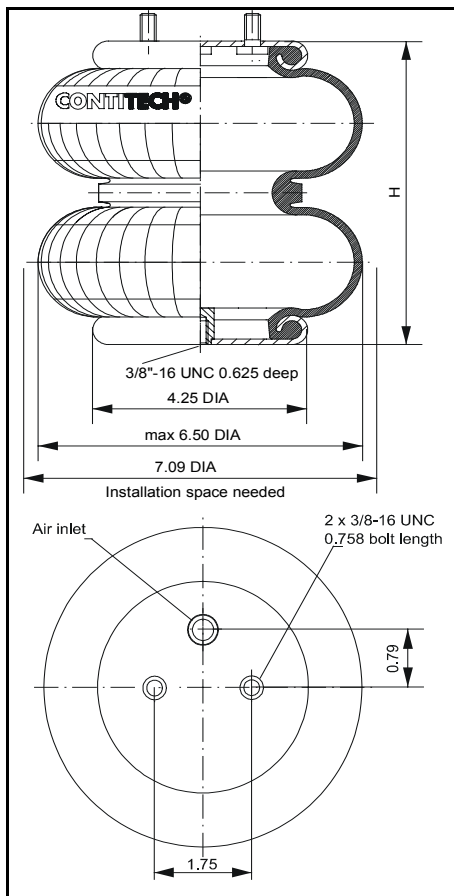
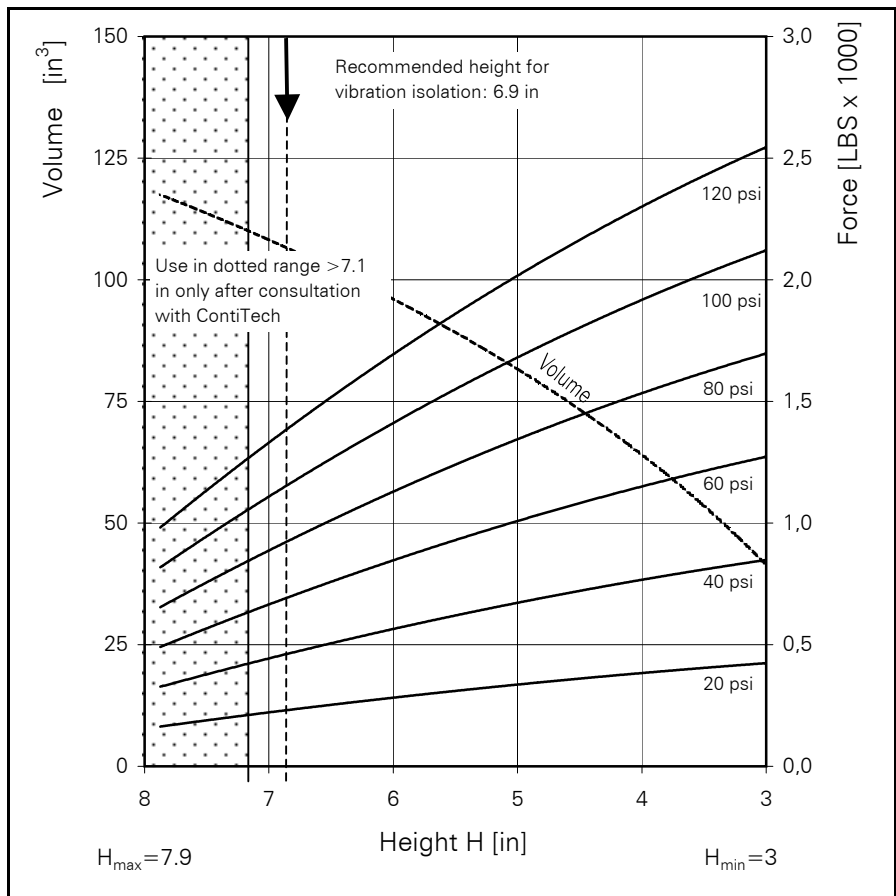


FD 70-13

CONTI® double convoluted air spring



FD 70-13



Force-height-diagram

Purchase order data

Type	Order No.
With clamped plates	61195

Technical data

Min. pressure	0 psi
Return force to min. height	≤ 45 lbs
Overall weight with clamped plates	3.3 lbs

Additional types on request

Vibration isolation - dynamic characteristic values

Design height H: recommended 6.9 inch, minimum 6.3 inch

Pressure p [psi]	40	60	80	100	120		Vol. V [in ³]
Force (Load) [lbs]	460	690	920	1150	1380		
Spring rate [lbs/in]	273	396	517	630	750		107
Natural frequency [Hz]	2.4	2.4	2.4	2.3	2.3		

Pneumatic application - static characteristic values

Force F [lbs]

Pressure p [psi]	20	40	60	80	100	120	Vol [in ³]
Height H [in]	7	220	450	670	900	1120	108
	6	280	560	850	1130	1410	93
	5	330	670	1000	1340	1670	84
	4	380	770	1150	1540	1920	68
	3	420	850	1270	1690	2120	38



Service instruction
3/8 = 15-20 LBxFT
1/2 NPTF = 20-30 LBxFT