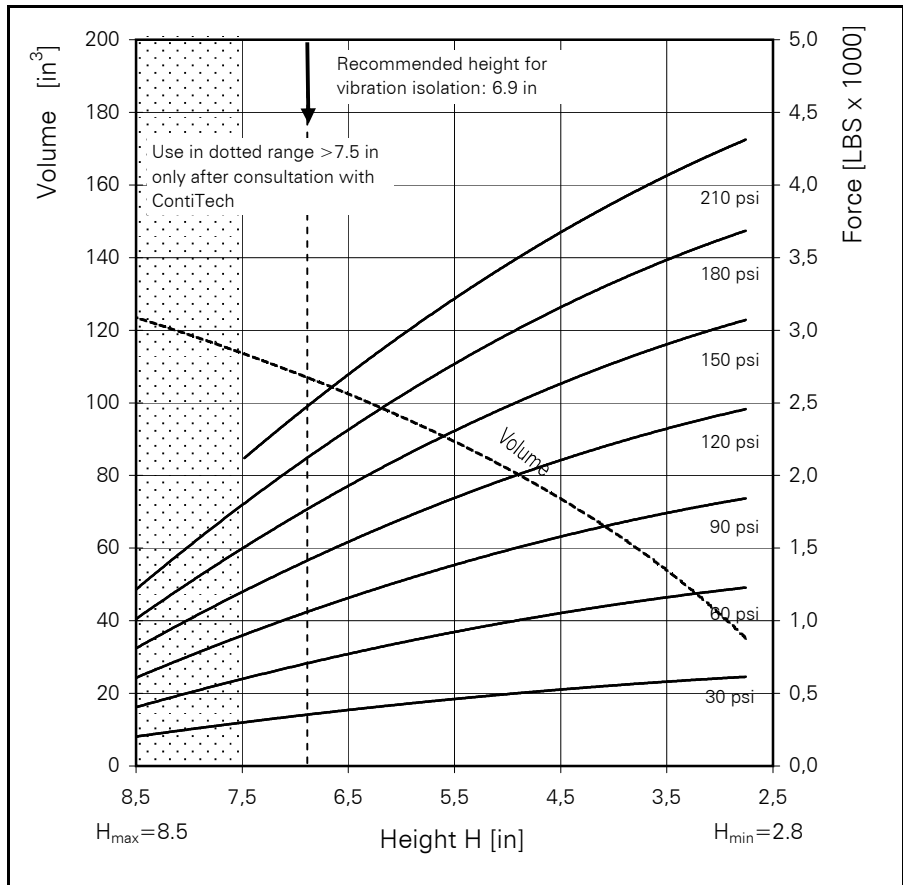
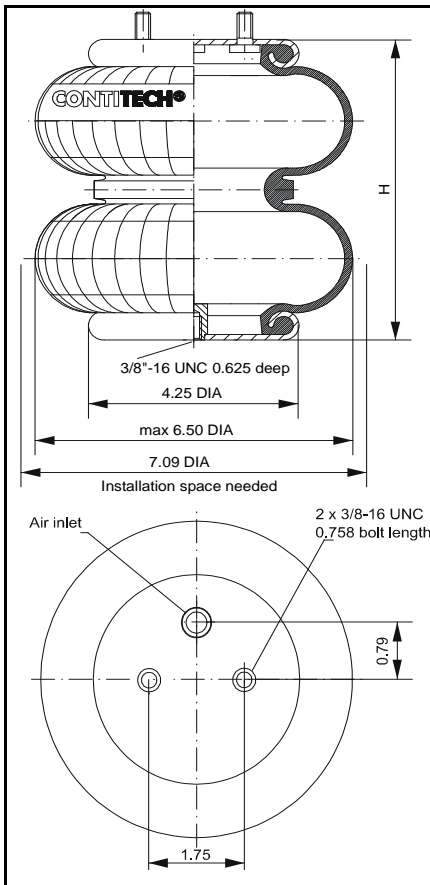


FD 70-13 4ply

CONTI[®] double convoluted air spring



FD 70-13

Force-height-diagram

Purchase order data

Type	Order No.
With clamped plates, Air inlet: 1/2 NPT	On request
With clamped plates, Air inlet: 1/2 NPT	On request

Additional types on request

Technical data

Min. pressure	0 psi
Return force to min. height	≤ 112 lbs
Overall weight with clamped plates	3.3 lbs

Vibration isolation - dynamic characteristic values

Design height H: recommended 6.9 inch, minimum 6.3 inch

Pressure p [psi]	40	60	80	100	120		Vol. V [in ³]
Force (Load) [lbs]	470	700	940	1170	1410		
Spring rate [lbs/in]	273	396	517	630	750		
Natural frequency [Hz]	2.4	2.4	2.4	2.3	2.3		106

Pneumatic application - static characteristic values

Force F [lbs]

Pressure p [psi]	20	40	60	80	100	120	Vol [in ³]	
Height H [in]	7	220	450	670	900	1120	1350	108
	6	280	560	850	1130	1410	1690	93
	5	330	670	1000	1340	1670	2010	84
	4	380	770	1150	1540	1920	2310	68
	3	420	850	1270	1690	2120	2540	38



Service instruction
 3/8 = 15-20 LBxFT
 1/2 NPTF = 20-30 LBxFT