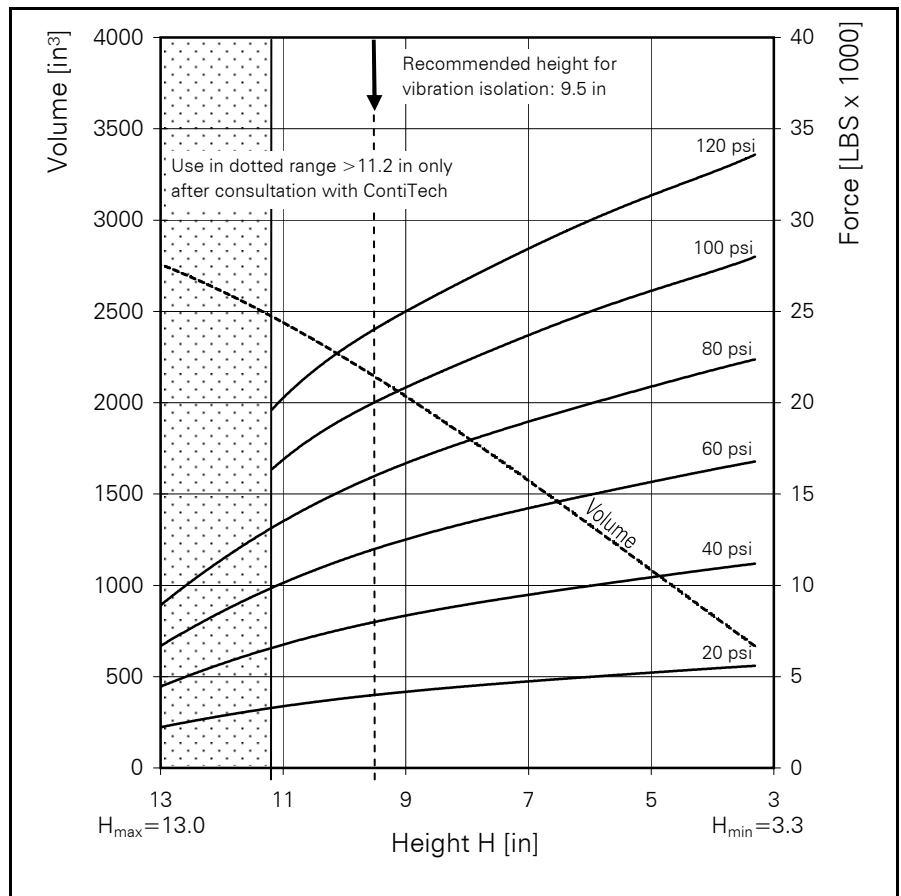
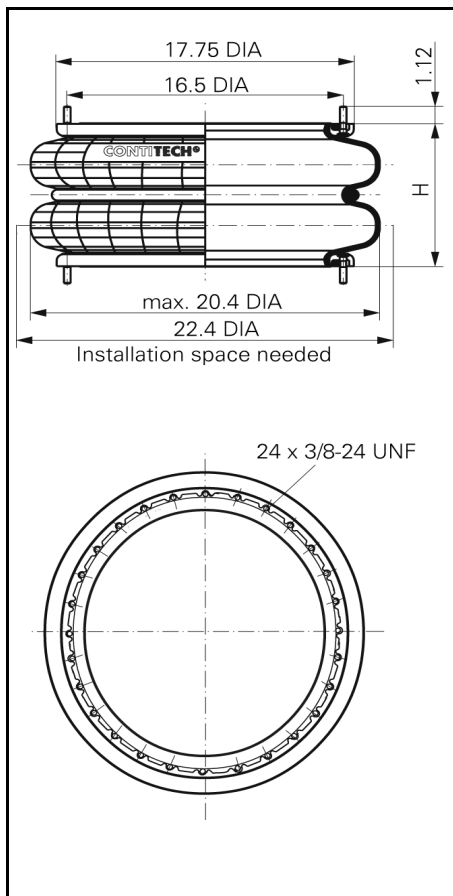


FD 1330-25

CONTI® Double Convolution Air Spring



FD 1330-25

Force-height diagram

Purchase order data

Type	Order No.
Rubber bellows only	61779
Bellows with bead rings, 1 7/8 bolts, nuts and washers	on request

Additional types on request

Technical data

Min. pressure	0 psi
Return force to min. height	≤ 40 lbs
Overall weight with bead rings, bolts, nuts and washers	23.8 lbs

Vibration isolation - dynamic characteristic values

Design height H: recommended 9.5 inch, minimum 8.7 inch

Pressure p [psi]	40	60	80	100	120		Vol. V [in ³]
Force (Load) [lbs]	7990	11990	15990	19980	23980		2145
Spring rate [lbs/in]	2173	3171	4101	4915	5882		
Natural frequency [Hz]	1.6	1.6	1.5	1.5	1.5		

Pneumatic application - static characteristic values

Force F [lbs]

Pressure p [psi]	20	40	60	80	100	120	Vol [in ³]
Height H [in]	11	3360	6710	10070	13430	16780	2440
	10	3930	7860	11790	15720	19650	2236
	9	4180	8360	12550	16730	20910	2050
	8	4470	8930	13400	17870	22330	1821
	7	4760	9510	14270	19030	23780	1565
	6	4980	9970	14950	19930	24910	1334
	5	5220	10440	15660	20880	26100	1083



Service instructions

3/8-24 UNF = 28-32 LBxFT