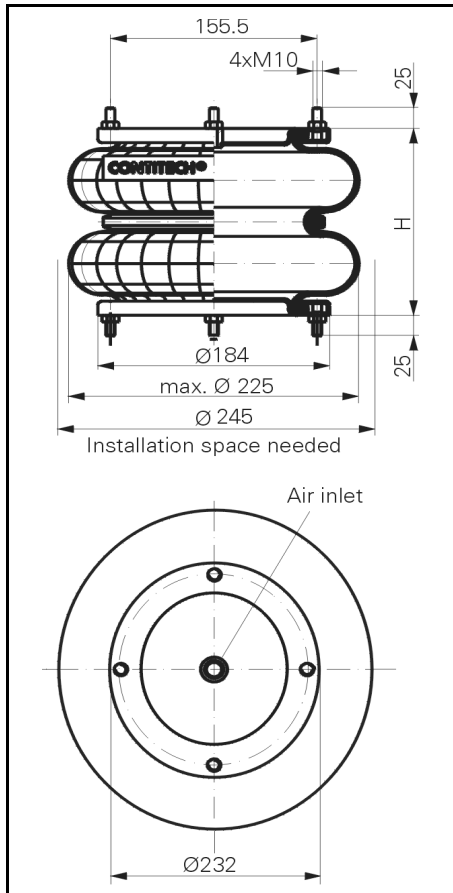
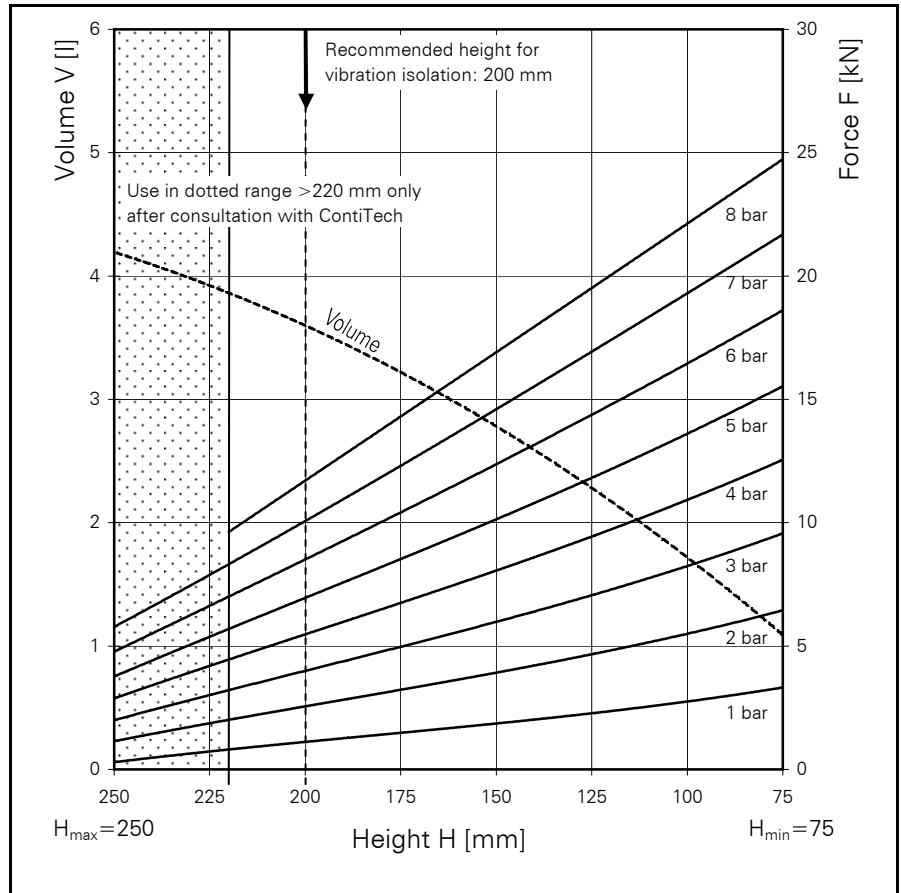


FD 138-18

CONTI® Double Convolution Air Spring



FD 138-18



Force-height diagram

Purchase order data

Type	Order No.
Rubber bellows only	50476
With removable plates and G 1/2 air inlet	50471

Additional types on request

Technical data

Min. pressure	0 bar
Return force to min. height	≤ 200 N
Overall weight with metal plates	3.7 kg

Vibration isolation - dynamic characteristic values

Design height H: recommended 200mm, minimum 180mm

Pressure p [bar]	3	4	5	6	7	8	Vol V[l]
Force (Load) [kN]	4.1	5.7	7.3	8.8	10.3	11.9	
Spring rate [N/cm]	715	905	1115	1280	1470	1670	
Natural frequency [Hz]	2.1	2.0	2.0	1.9	1.9	1.9	

Pneumatic application - static characteristic values

Force F [kN]

Pressure p [bar]	3	4	5	6	7	8	Vol.[l]	
Height H [mm]	200	4.20	5.70	7.20	8.80	10.40		12.10
	150	5.80	7.90	10.00	12.18	14.35		16.65
	100	8.40	11.05	13.70	16.60	19.50	22.25	



Service instructions

M10 = 25 Nm

G 1/2 = 25 Nm