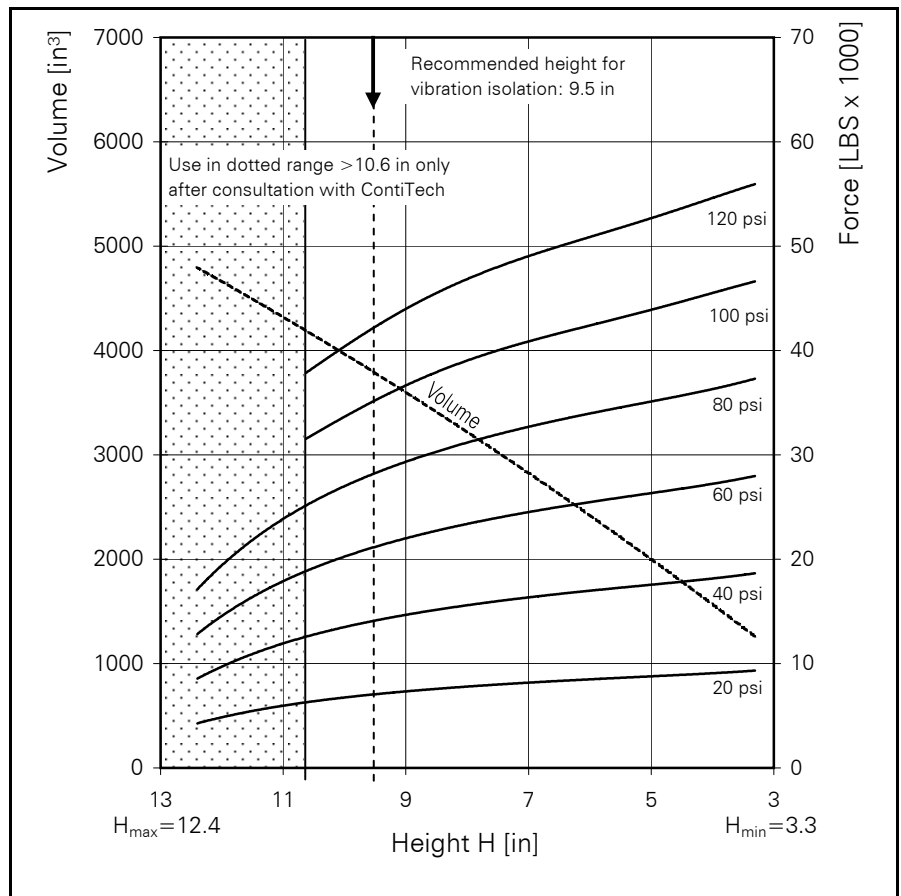
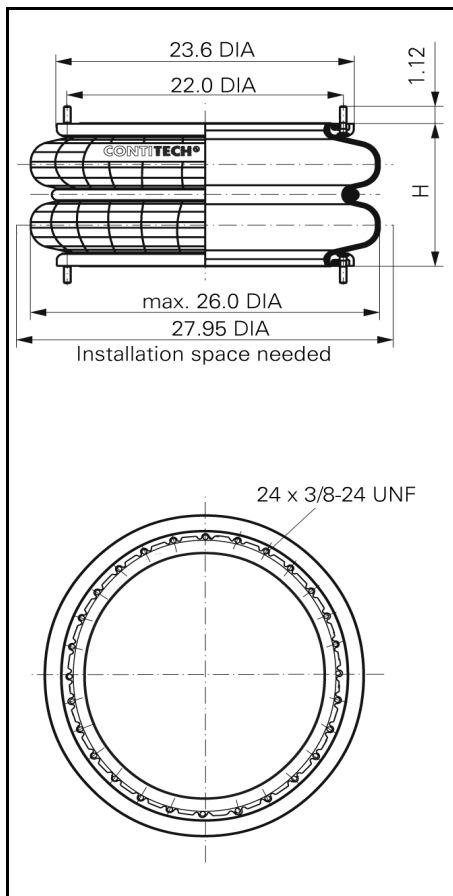


FD 2380-24

CONTI® Double Convolution Air Spring



FD 2380-24

Force-height diagram

Purchase order data

|   |            |
|---|------------|
| Type  | Order No.  |
| Rubber bellows only                                       | 61781      |
| Bellows with bead rings,<br>1 7/8 bolts, nuts and washers | on request |

Additional types on request

Technical data

|   |           |
|---|-----------|
| Min. pressure   | 0 psi     |
| Return force to min. height                             | ≤ 100 lbs |
| Overall weight with bead rings, bolts, nuts and washers | 31 lbs    |

Vibration isolation - dynamic characteristic values

Design height H: recommended 9.5 inch, minimum 8.7 inch

|                        |       |       |       |       |       |  |                           |
|------------------------|-------|-------|-------|-------|-------|--|---------------------------|
| Pressure p [psi]       | 40    | 60    | 80    | 100   | 120   |  | Vol. V [in <sup>3</sup> ] |
| Force (Load) [lbs]     | 14090 | 21130 | 28180 | 35220 | 42260 |  | 3778                      |
| Spring rate [lbs/in]   | 3790  | 5344  | 7004  | 8391  | 10009 |  |                           |
| Natural frequency [Hz] | 1.6   | 1.6   | 1.6   | 1.5   | 1.5   |  |                           |

Pneumatic application - static characteristic values

Force F [lbs]

|                  |    |      |       |       |       |       |                        |
|------------------|----|------|-------|-------|-------|-------|------------------------|
| Pressure p [psi] | 20 | 40   | 60    | 80    | 100   | 120   | Vol [in <sup>3</sup> ] |
| Height H [in]    | 10 | 6730 | 13470 | 20200 | 26930 | 33670 | 3968                   |
|                  | 9  | 7310 | 14620 | 21930 | 29240 | 36550 | 3602                   |
|                  | 8  | 7830 | 15650 | 23480 | 31300 | 39130 | 3223                   |
|                  | 7  | 8160 | 16310 | 24470 | 32620 | 40780 | 2836                   |
|                  | 6  | 8480 | 16970 | 25450 | 33940 | 42420 | 2407                   |
|                  | 5  | 8780 | 17560 | 26350 | 35130 | 43910 | 1989                   |
|                  | 4  | 9100 | 18210 | 27310 | 36420 | 45520 | 1567                   |



Service instructions

3/8-24 UNF = 28-32 LBxFT