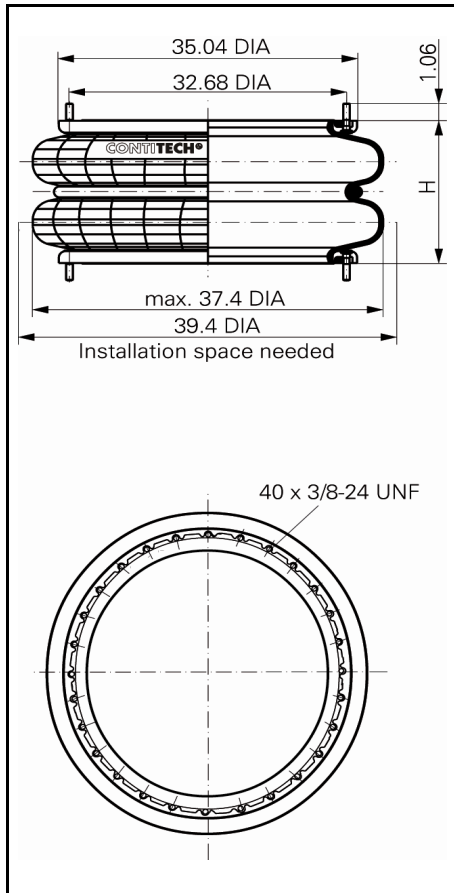
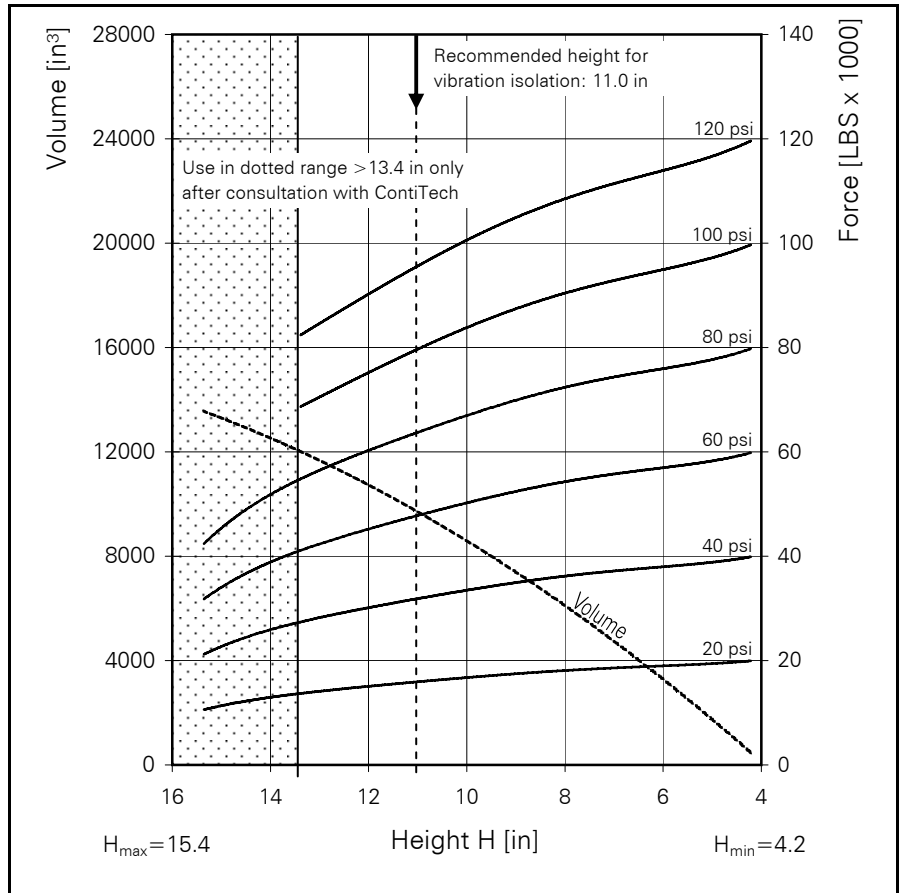


FD 5450-28

CONTI[®] Double Convolution Air Spring



FD 5450-28



Force-height diagram

Purchase order data

Type	Order No.
Rubber bellows only	61786
Bellows with bead rings, 1 7/8 bolts, nuts and washers	on request

Additional types on request

Technical data

Min. pressure	0 psi
Return force to min. height	≤ 350 lbs
Overall weight with bead rings, bolts, nuts and washers	72.5 lbs

Vibration isolation - dynamic characteristic values

Design height H: recommended 11,0 inch, minimum 10,2 inch

Pressure p [psi]	40	60	80	100	120		Vol. V [in ³]
Force (Load) [lbs]	31720	47590	63450	79310	95170		9577
Spring rate [lbs/in]	6661	9336	12195	14533	17173		
Natural frequency [Hz]	1.4	1.4	1.4	1.3	1.3		

Pneumatic application - static characteristic values

Force F [lbs]

Pressure p [psi]	20	40	60	80	100	120	Vol [in ³]
Height H [in]	13.0	14120	28240	42350	56470	70590	11677
	11.0	15860	31720	47590	63450	79310	95170
	9.0	17490	34990	52480	69980	87470	104970
	7.0	18520	37040	55560	74080	92600	111120
	5.0	19530	39070	58600	78130	97660	117200



Service instructions

3/8-24 UNF = 28-32 LBxFT