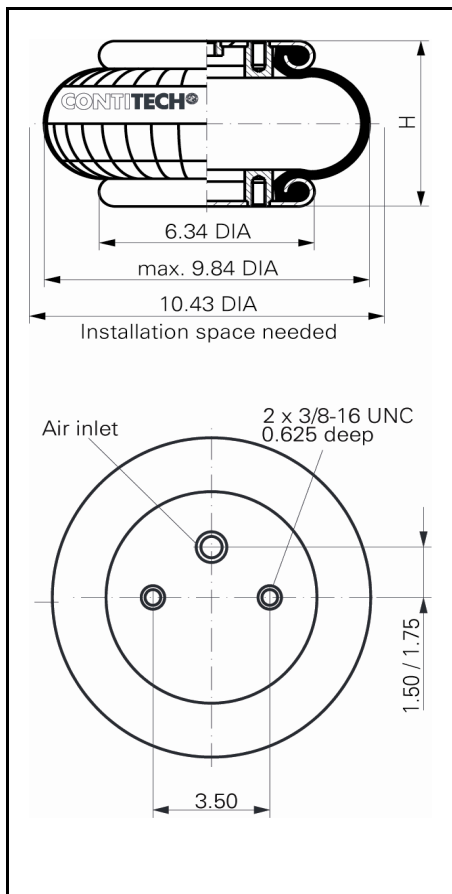
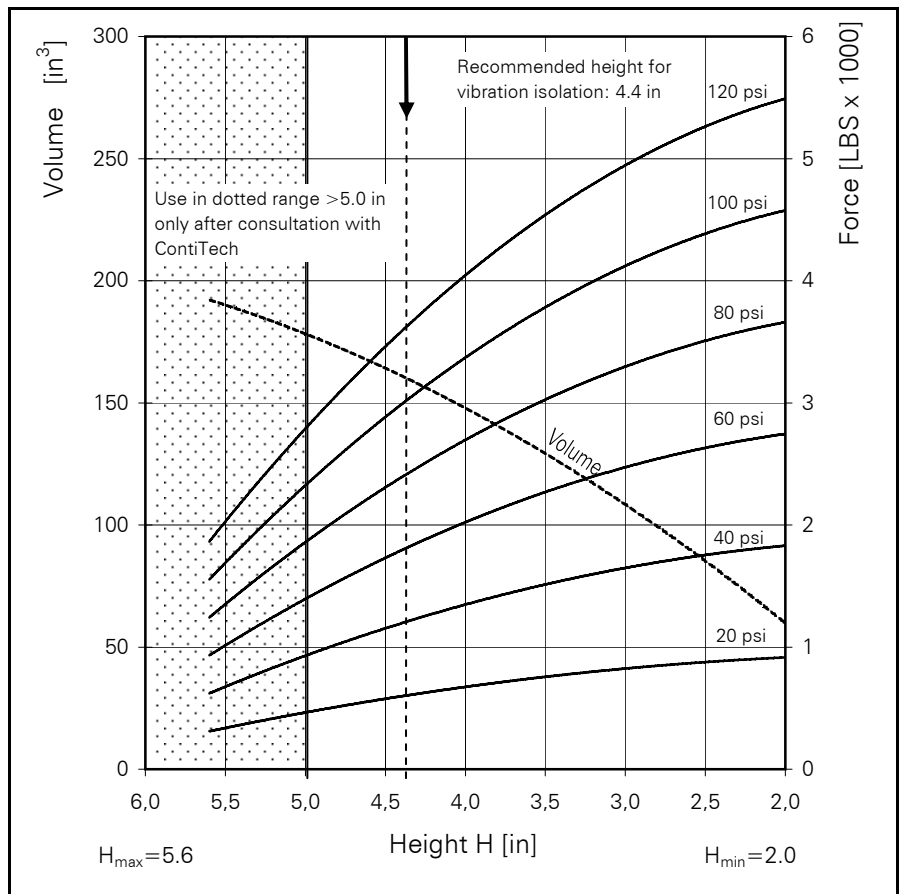


FS 200-10

CONTI® Single Convolution Air Spring



FS 200-10



Force-height diagram

Purchase order data

Type	Order No.
Rubber bellows only	60319
With clamped plates 1/4 NPT air inlet 1.75 inch excentrical	on request
With clamped plates 3/4 NPT air inlet 1.5 inch excentrical	62386

Additional types on request

Technical data

Min. pressure	0 psi
Return force to min. height	≤ 45 lbs
Overall weight with clamped plates	5.1 lbs

Vibration isolation - dynamic characteristic values

Design height H: recommended 4.4 inch, minimum 3.5 inch

Pressure p [psi]	40	60	80	100	120		Vol. V [in <sup>3</sup> ]
Force (Load) [lbs]	1200	1800	2400	3000	3600		166
Spring rate [lbs/in]	787	1211	1638	2081	2510		
Natural frequency [Hz]	2.5	2.6	2.6	2.6	2.6		

Pneumatic application - static characteristic values

Force F [lbs]

Pressure p [psi]	20	40	60	80	100	120	Vol [in <sup>3</sup> ]	
Height H [in]	5	470	950	1420	1900	2370	2850	179
	4	670	1350	2020	2690	3360	4040	144
	3	820	1640	2460	3280	4100	4930	105
	2	920	1840	2760	3680	4600	5520	61



Service instructions

3/8 - 16 UNC = 15-20 LBxFT

3/4 NPTF = 40-50 LBxFT