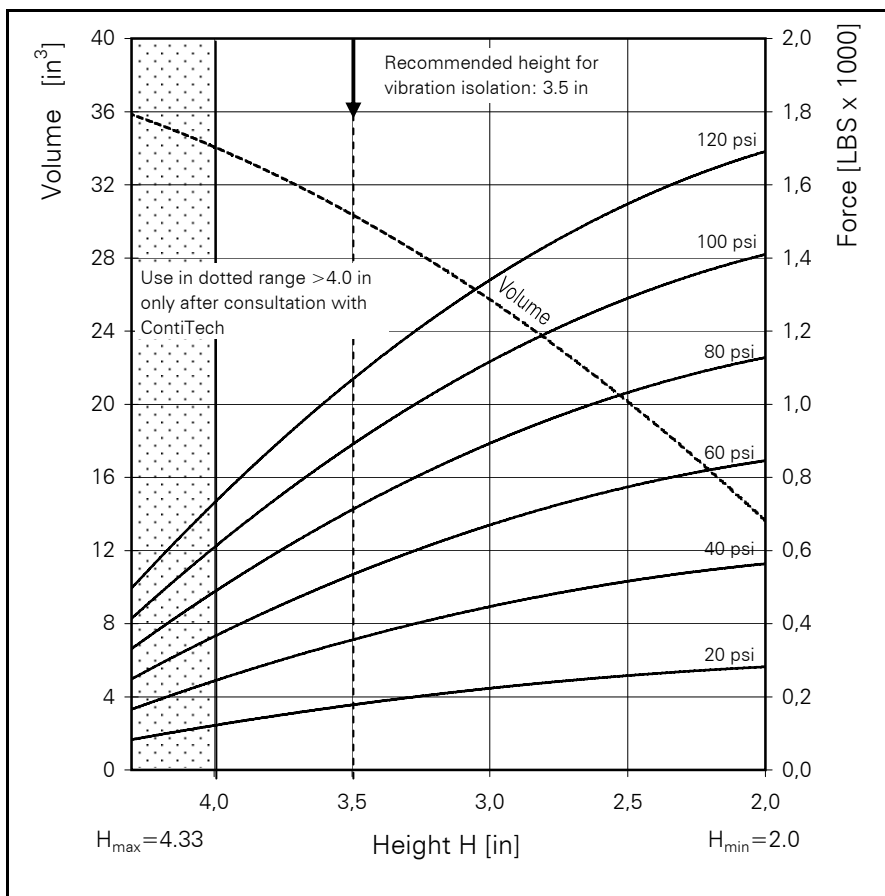
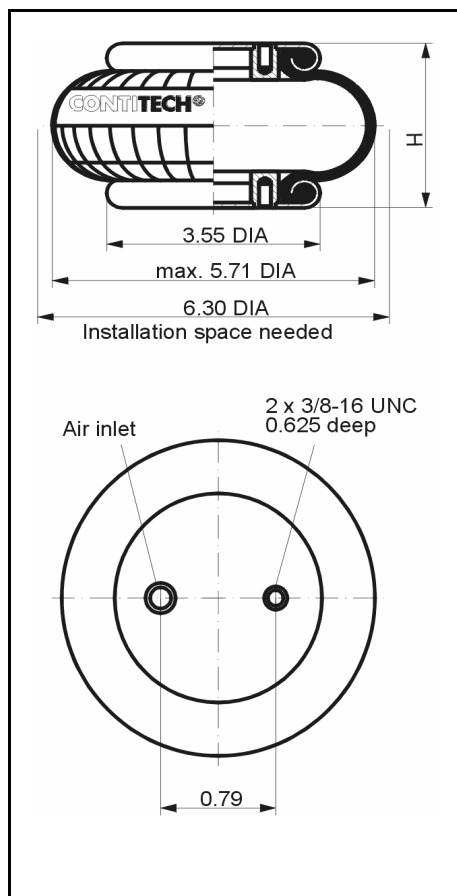


FS 40-6

CONTI® Single Convolution Air Spring



FS 40-6

Force-height diagram

Purchase order data

Type	Order No.
With clamped plates 1/8 NPT air inlet	63029

Technical data

Min. pressure	0 psi
Return force to min. height	≤ 27 lbs
Overall weight with clamped plates	2.1 lbs

Additional types on request

Vibration isolation - dynamic characteristic values

Design height H: recommended 3.5 inch, minimum 2.7 inch

Pressure p [psi]	40	60	80	100	120		Vol [in <sup>3</sup> ]
Force (Load) [lbs]	350	530	700	880	1060		30
Spring rate [lbs/in]	399	585	768	905	1075		
Natural frequency [Hz]	3.5	3.3	3.3	3.3	3.2		

Pneumatic application - static characteristic values

Force F [lbs]

Pressure p [psi]	20	40	60	80	100	120	Vol [in <sup>3</sup> ]	
Height H [in]	4	120	250	370	490	620	740	34
	3	220	450	670	890	1110	1340	26
	2	280	560	850	1130	1410	1690	14



Service instructions

3/8-16UNC = 15-20 LBxFT

1/8 NPT = 12-15 LBxFT