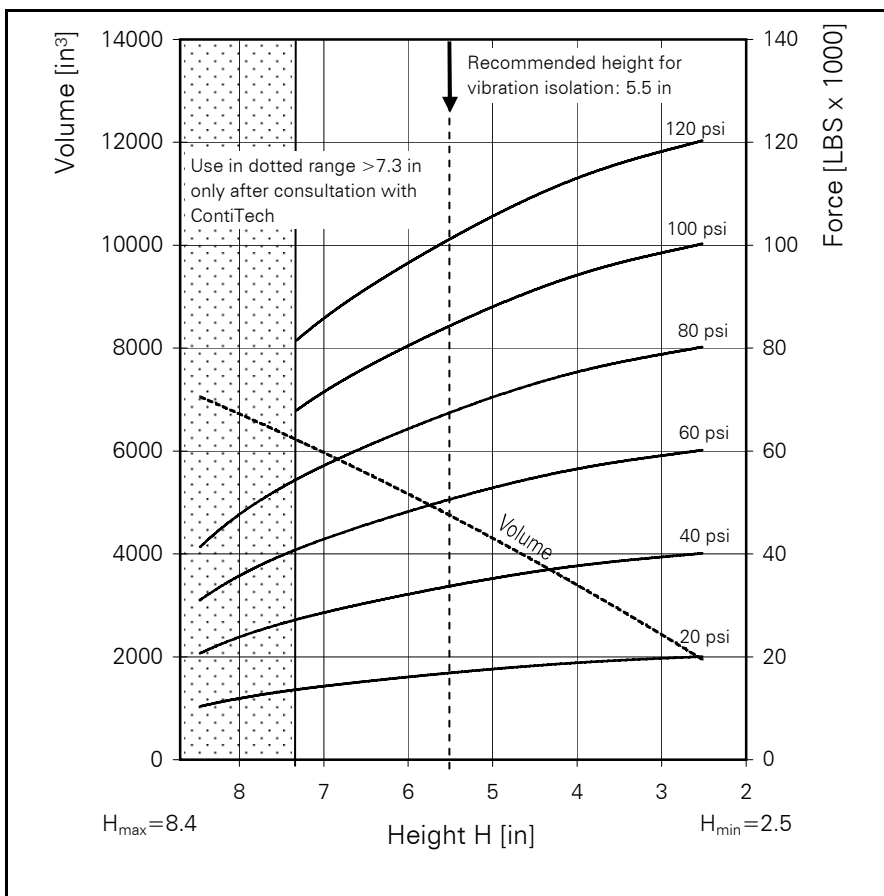
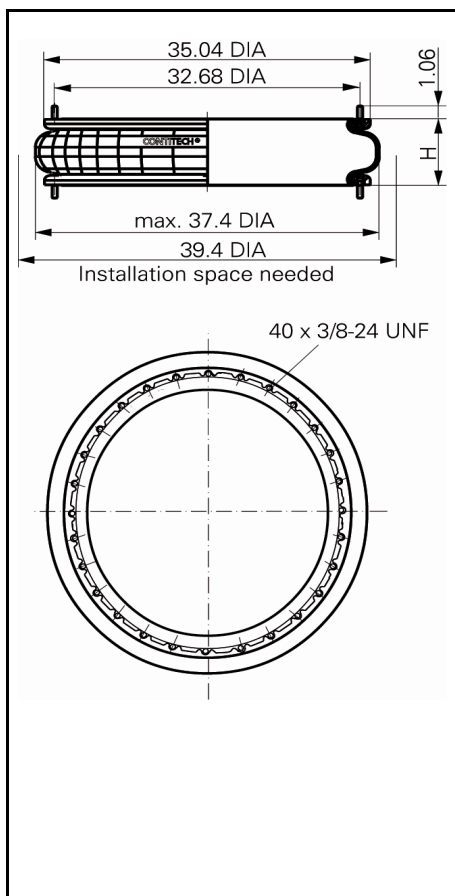


FS 5450-16

CONTI® Single Convolution Air Spring



FS 5450-16

Force-height diagram

Purchase order data

Type	Order No.
Rubber bellows only	61785
Bellows with bead rings, 1 7/8 bolts, nuts and washers	on request

Additional types on request

Technical data

Min. pressure	0 psi
Return force to min. height	≤ 310 lbs
Overall weight with bead rings, bolts, nuts and washers	48.5 lbs

Vibration isolation - dynamic characteristic values

Design height H: recommended 5.5 inch, minimum 4.7 inch

Pressure p [psi]	40	60	80	100	120		Vol. V [in <sup>3</sup> ]
Force (Load) [lbs]	33810	50720	67630	84530	101440		4713
Spring rate [lbs/in]	13532	19511	25290	30229	35739		
Natural frequency [Hz]	2.0	2.0	1.9	1.9	1.9		

Pneumatic application - static characteristic values

Force F [lbs]

Pressure p [psi]	20	40	60	80	100	120	Vol [in <sup>3</sup> ]	
Height H [in]	7	14280	28570	42850	57140	71420	85710	6006
	6	16080	32160	48240	64320	80400	96470	5162
	5	17580	35150	52730	70310	87890	105460	4271
	4	18850	37710	56560	75410	94270	113120	3410
	3	19710	39420	59130	78840	98550	118260	2412



Service instructions

3/8-24 UNF = 28-32 LBxFT