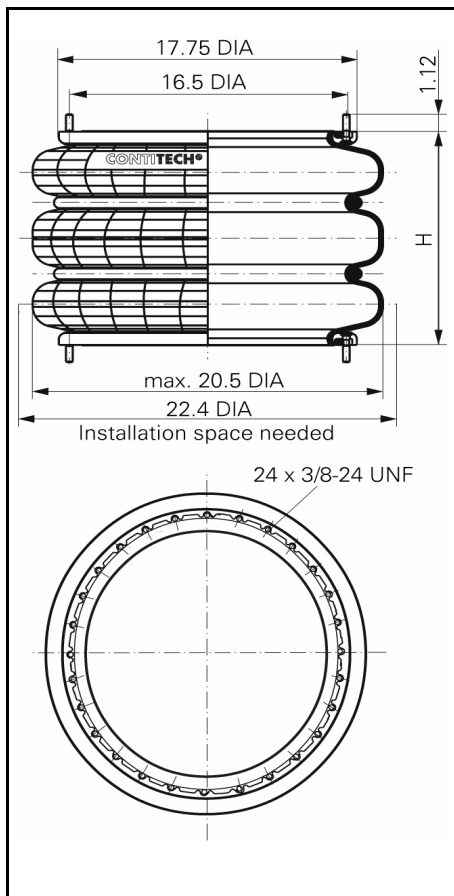
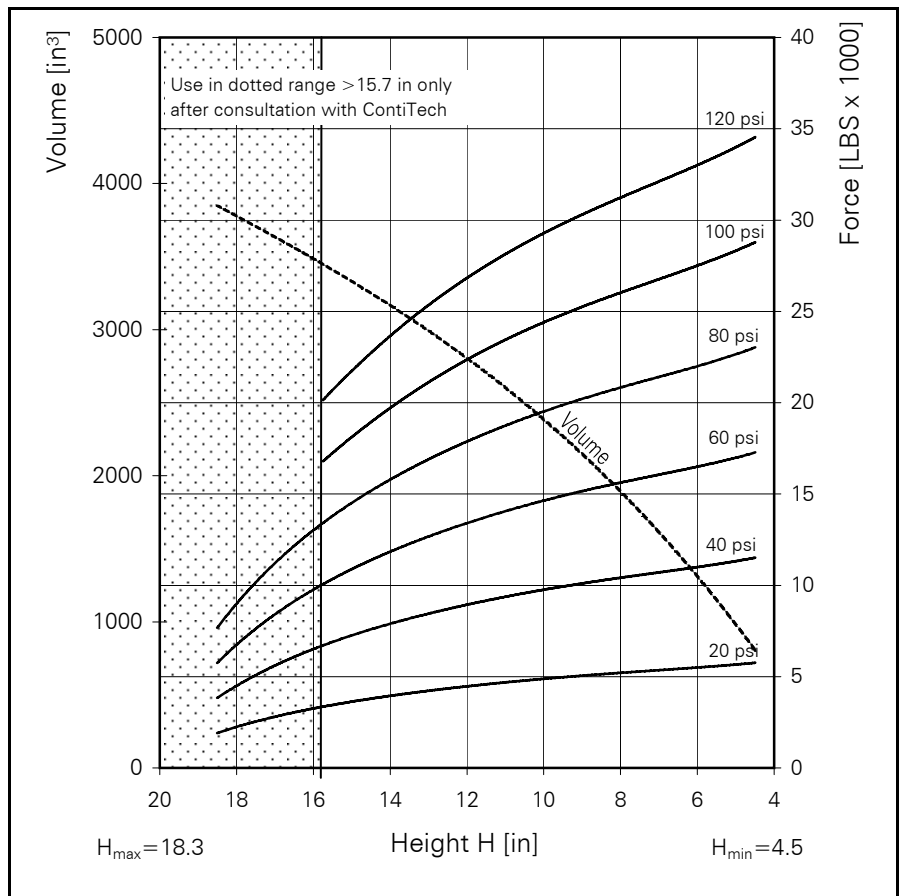


FT 1330-35

CONTI® Triple Convolution Air Spring



FT 1330-35



Force-height diagram

Purchase order data

| Type | Order No. |
|---|-----------|
| Rubber bellows only | 61780 |
| Bellows with bead rings, 1 7/8 bolts, nuts and washers | 62397 |

Technical data


| | |
|---|----------|
| Min. pressure | 0 psi |
| Return force to min. height | ≤ 70 lbs |
| Overall weight with bead rings, bolts, nuts and washers | 27.6 lbs |

Additional types on request

Pneumatic application - static characteristic values

Force F [lbs]

| Pressure p [psi] | 20 | 40 | 60 | 80 | 100 | 120 | Vol [in³] |
|------------------|------|-------|-------|-------|-------|-------|-----------|
| Height H [in] 15 | 3620 | 7240 | 10860 | 14480 | 18100 | 21720 | 3321 |
| 13 | 4240 | 8480 | 12730 | 16970 | 21210 | 25450 | 2991 |
| 11 | 4680 | 9360 | 14040 | 18720 | 23400 | 28080 | 2618 |
| 9 | 5050 | 10100 | 15150 | 20200 | 25250 | 30310 | 2145 |
| 7 | 5350 | 10710 | 16060 | 21410 | 26770 | 32120 | 1594 |
| 5 | 5660 | 11330 | 16990 | 22660 | 28320 | 33980 | 950 |

 Service instructions
3/8-24 UNF = 28-32 LBxFT