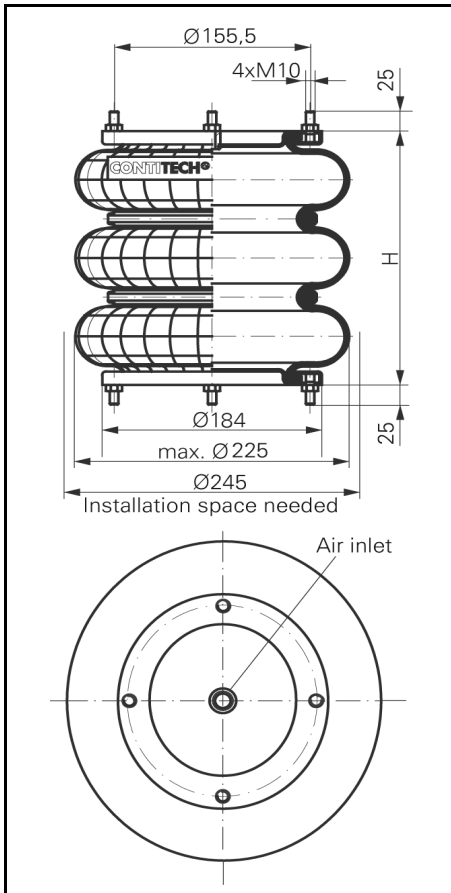
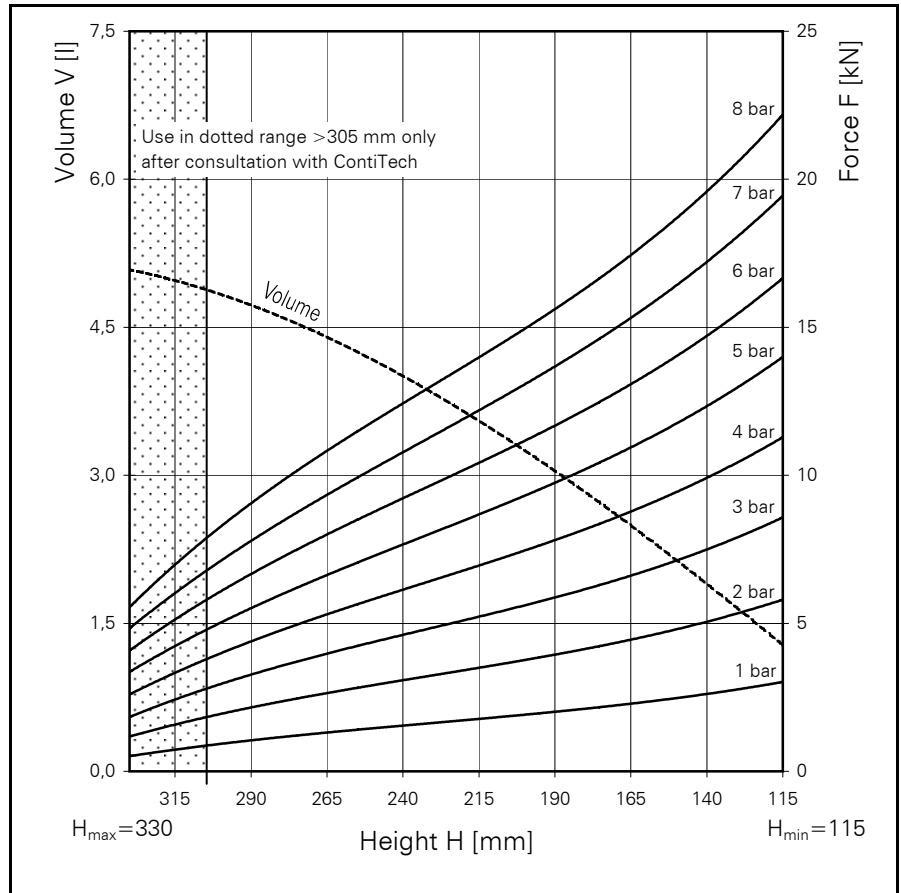


FT 138-26

CONTI® Triple Convolution Air Spring



FT 138-26



Force-height diagram

Purchase order data

| | |
|---|-----------|
| Type | Order No. |
| Rubber bellows only | 50477 |
| With removable plates and G 1/2 air inlet | 50472 |

Technical data

| | |
|----------------------------------|---------|
| Min. pressure | 0 bar |
| Return force to min. height | ≤ 430 N |
| Overall weight with metal plates | 4.9 kg |

Additional types on request

Pneumatic application - static characteristic values

Force F [kN]

| Pressure p [bar] | 3 | 4 | 5 | 6 | 7 | 8 | Vol.[l] | |
|------------------|-----|-----|------|------|------|------|---------|-----|
| Height H [mm] | 290 | 3.3 | 4.4 | 5.5 | 6.7 | 7.9 | 9.1 | 4.7 |
| | 240 | 4.6 | 6.1 | 7.7 | 9.2 | 10.8 | 12.4 | 4.0 |
| | 190 | 5.8 | 7.7 | 9.6 | 11.6 | 13.6 | 15.5 | 3.0 |
| | 140 | 7.7 | 10.1 | 12.5 | 14.8 | 17.5 | 19.7 | 1.9 |



Service instructions
M10 = 25 Nm
G 1/2 = 25 Nm