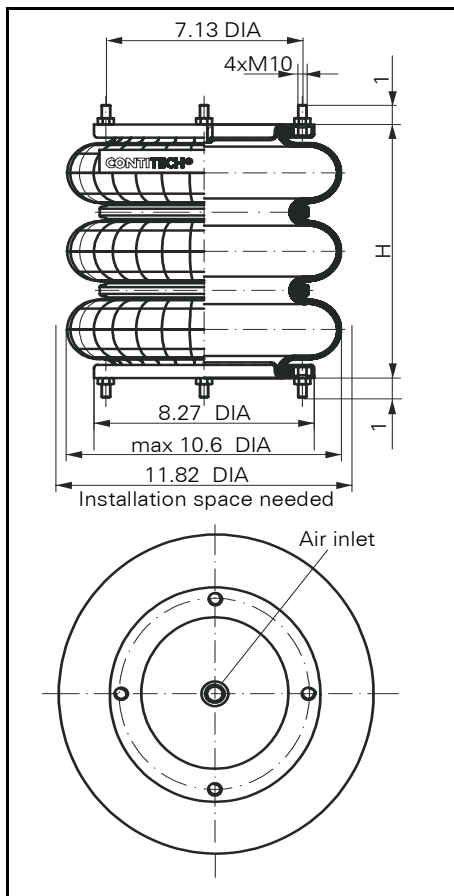
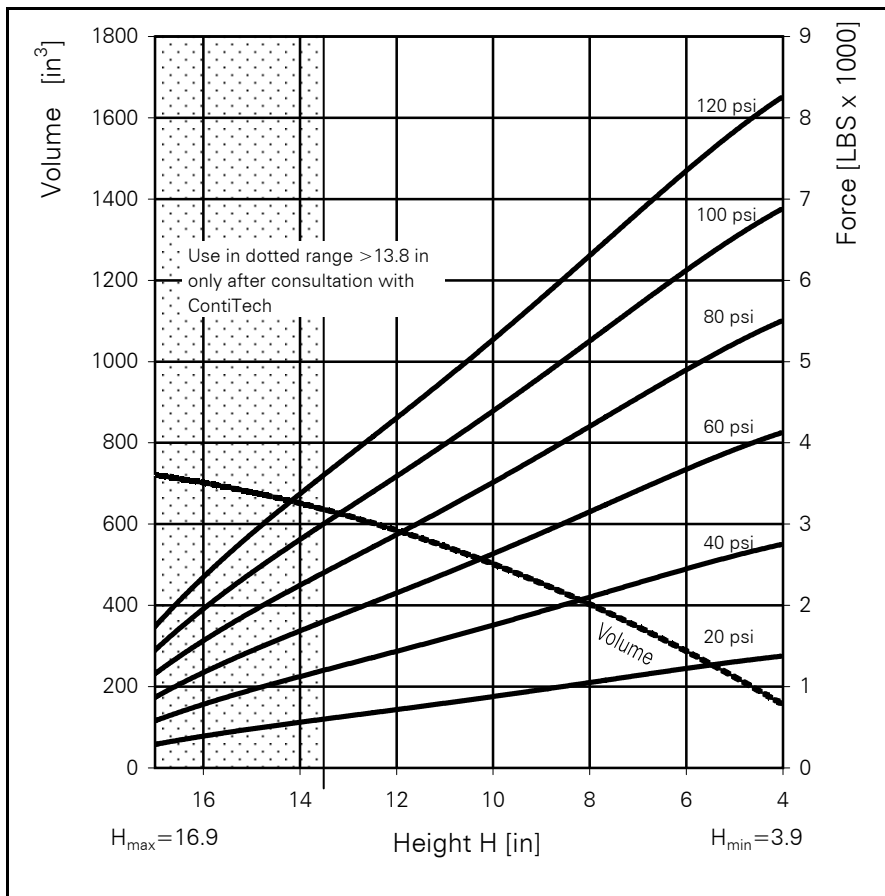


FT 210-32

CONTI® Triple Convolution Air Spring



FT 210-32



Force-height diagram

Purchase order data

Type	Order No.
Rubber bellows only	50479
With removable plates and G 1/2 air inlet	50474

Technical data

Min. pressure	0 psi
Return force to min. height	≤ 90 lbs
Overall weight with clamped plates	13.3 lbs

Additional types on request

Pneumatic application - static characteristic values

Force F [lbs]

Pressure p [psi]	20	40	60	80	100	120	Vol [in <sup>3</sup> ]
Height H [in] 15	470	940	1410	1880	2350	2820	681
13	630	1260	1900	2530	3160	3790	620
11	790	1580	2360	3150	3940	4730	547
9	960	1910	2870	3830	4790	5740	459
7	1130	2260	3390	4520	5650	6780	351



Service instructions  
 3/8 = 15-20 LBxFT  
 3/4 NPT = 40-50 LBxFT