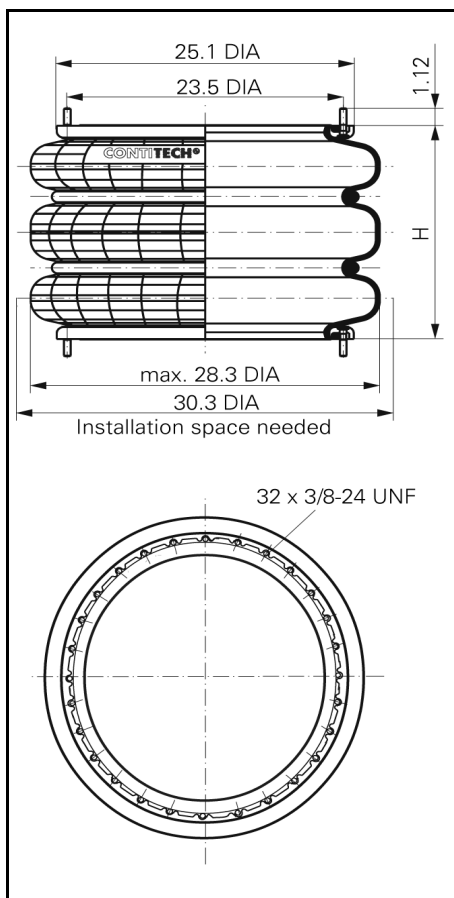
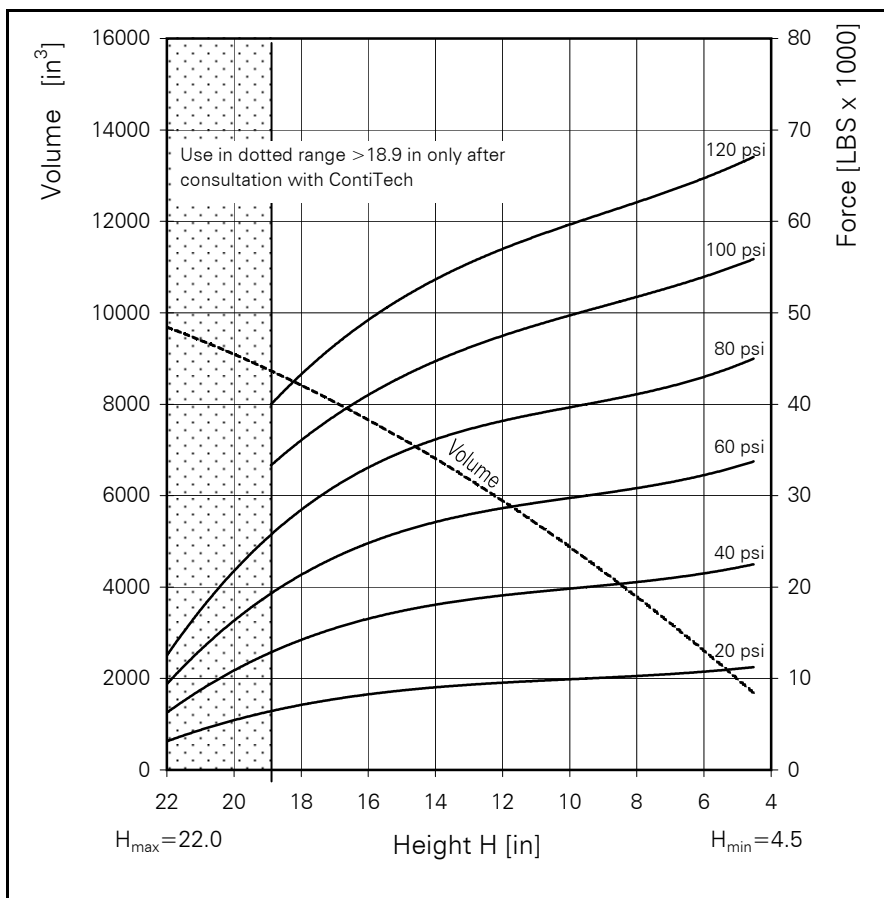


FT 2870-45

CONTI® Triple Convolution Air Spring



FT 2870-45



Force-height diagram

Purchase order data

Type	Order No.
Rubber bellows only	61790
With bead rings, 1 7/8 bolts, nuts and washers	on request

Technical data

Min. pressure	0 psi
Return force to min. height	≤ 180 lbs
Overall weight with bead rings, bolts, nuts and washers	38 lbs

Additional types on request

Pneumatic application - static characteristic values

Force F [lbs]

Pressure p [psi]	20	40	60	80	100	120	Vol [in ³]
Height H [in] 18	7180	14370	21550	28730	35920	43100	8500
15	8580	17160	25750	34330	42910	51490	7251
12	9510	19010	28520	38020	47530	57040	6015
9	10120	20240	30360	40480	50590	60710	4124
6	10820	21640	32470	43290	54110	64930	2440



Service instructions

3/8-24 UNF = 28-32 LBxFT