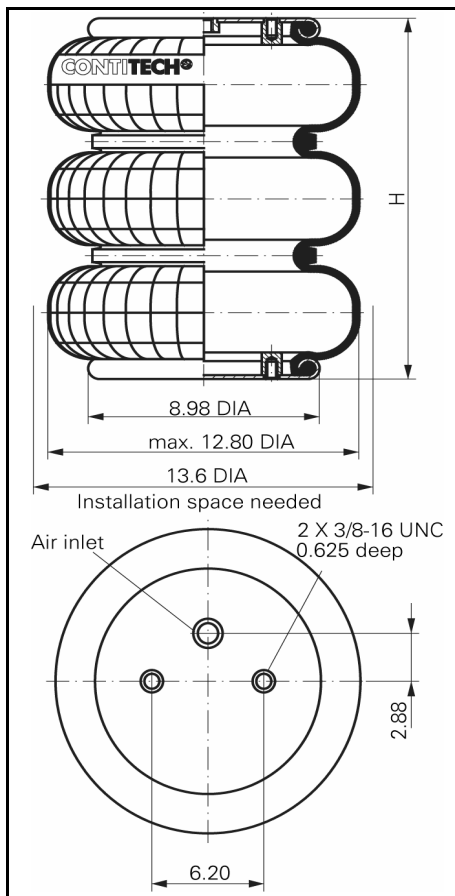
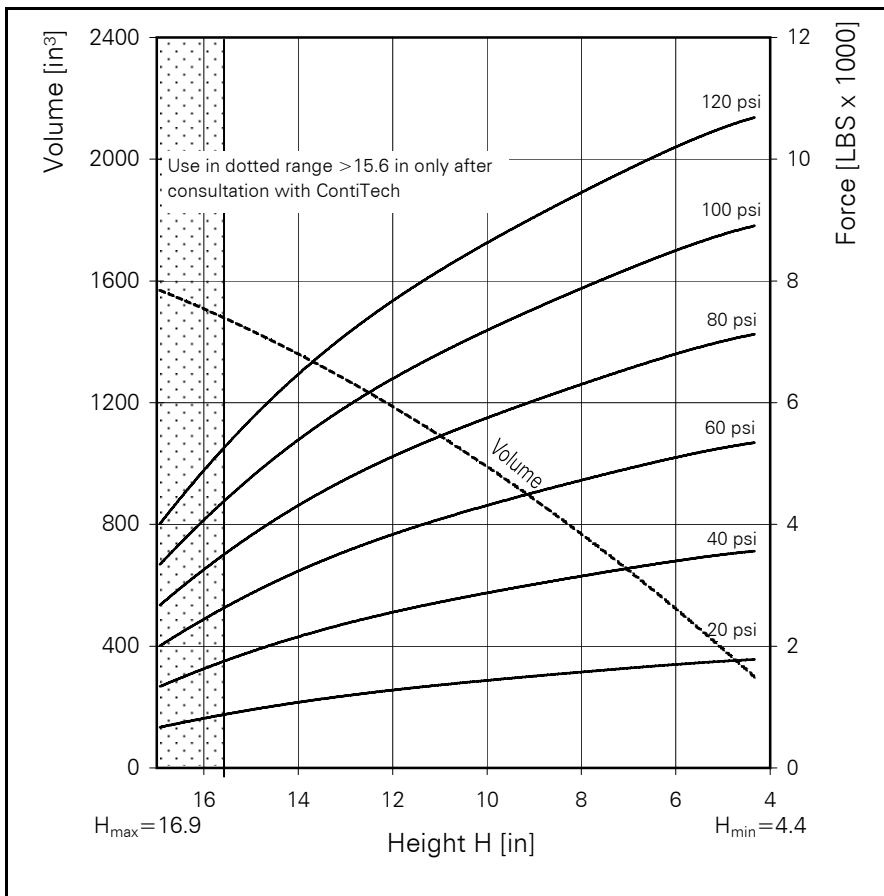


FT 330-29

CONTI® Triple Convolution Air Spring



FT 330-29



Force-height diagram

Purchase order data

Type	Order No.
Rubber bellows only	61833
With clamped plates 1/4 NPT air inlet	on request
With clamped plates 3/4 NPT air inlet	on request

Additional types on request

Technical data

Min. pressure	0 psi
Return force to min. height	≤ 90 lbs
Overall weight with clamped plates	13.1 lbs

Pneumatic application - static characteristic values

Force F [lbs]

Pressure p [psi]	20	40	60	80	100	120	Vol [in ³]
Height H [in] 15	950	1900	2860	3810	4760	5710	1441
13	1180	2360	3540	4730	5910	7090	1281
11	1360	2720	4090	5450	6810	8170	1089
9	1500	3010	4510	6010	7520	9020	878
7	1640	3290	4930	6580	8220	9860	642
5	1750	3500	5250	7000	8750	10500	392



Service instructions

3/8-16 UNC = 15-20 LBxFT

3/4 NPT = 40-50 LBxFT