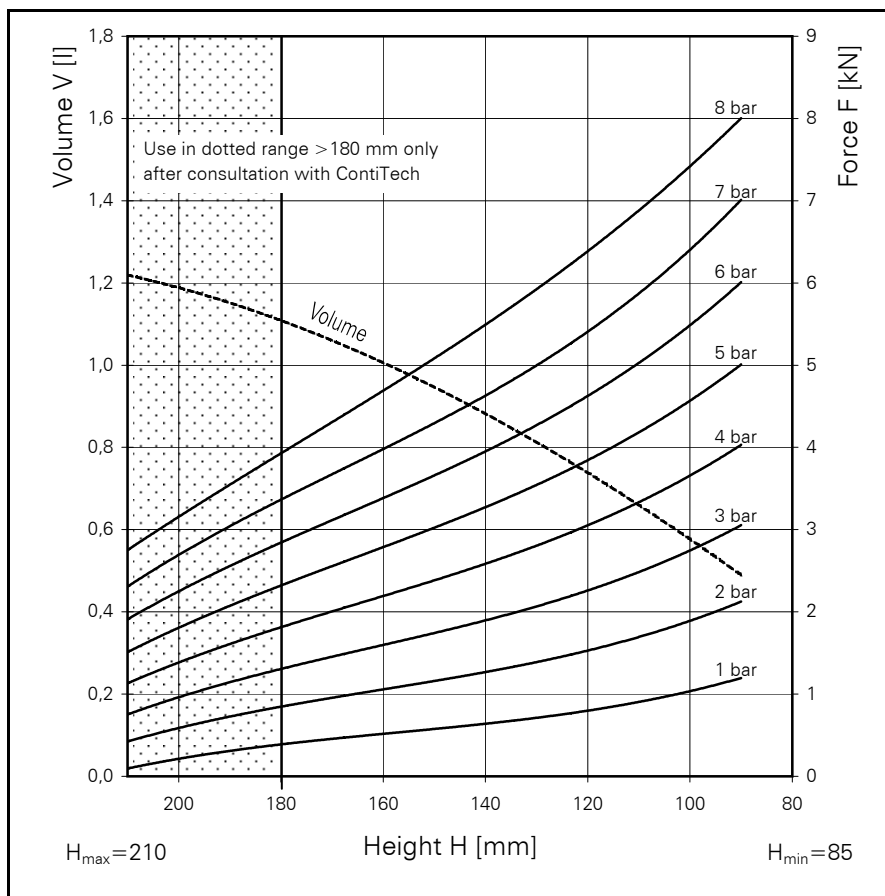
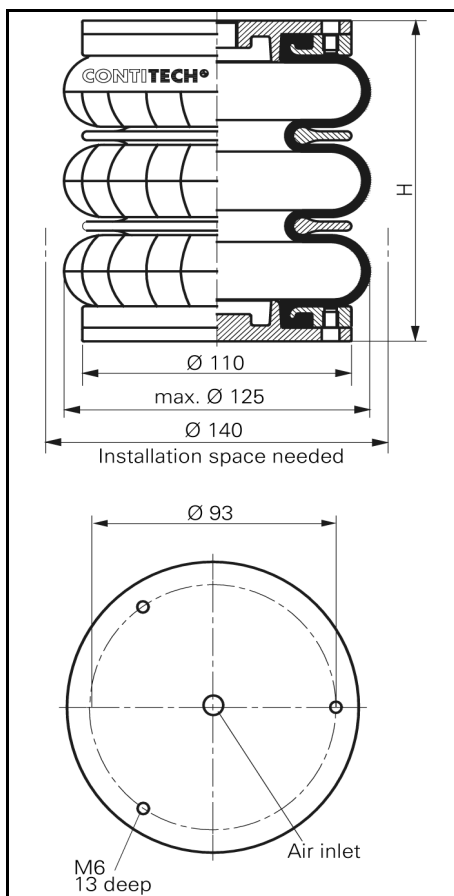


FT 44-15

CONTI[®] Triple Convolution Air Spring



FT 44-15

Force-height diagram

Purchase order data

Technical data

Type	Order No.
Rubber bellows only	on request
With aluminium plates and G3/8 air inlet	50605

Min. pressure	0 bar
Return force to min. height	≤ 150 N
Overall weight with aluminium plates	1.2 kg

Additional types on request

Pneumatic application - static characteristic values

Force F [kN]

Pressure p [bar]	3	4	5	6	7	8	Vol.[l]	
Height H [mm]	190	1.2	1.6	2.1	2.6	3.1	3.6	1.15
	170	1.5	2.0	2.6	3.1	3.7	4.3	1.06
	150	1.8	2.4	3.0	3.6	4.3	5.1	0.95
	130	2.1	2.8	3.6	4.3	5.0	5.9	0.81
	110	2.5	3.4	4.2	5.1	5.9	6.9	0.66



Service instructions
M6 = 5 Nm
G 3/8 = 15 Nm

