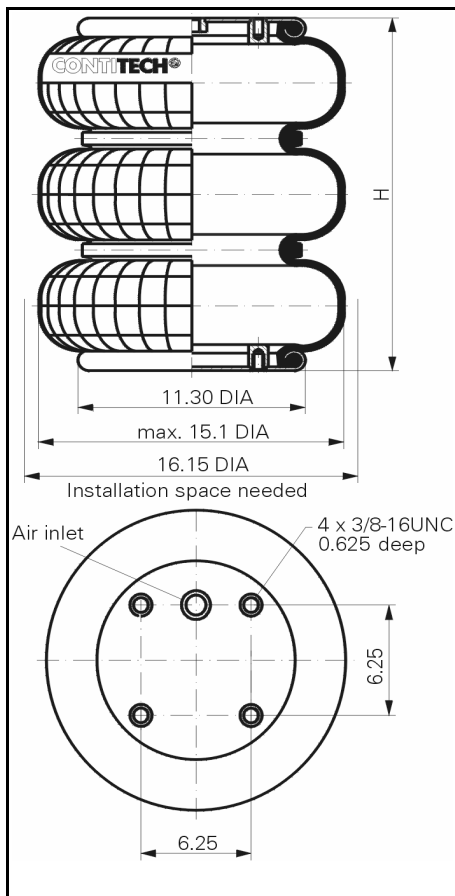
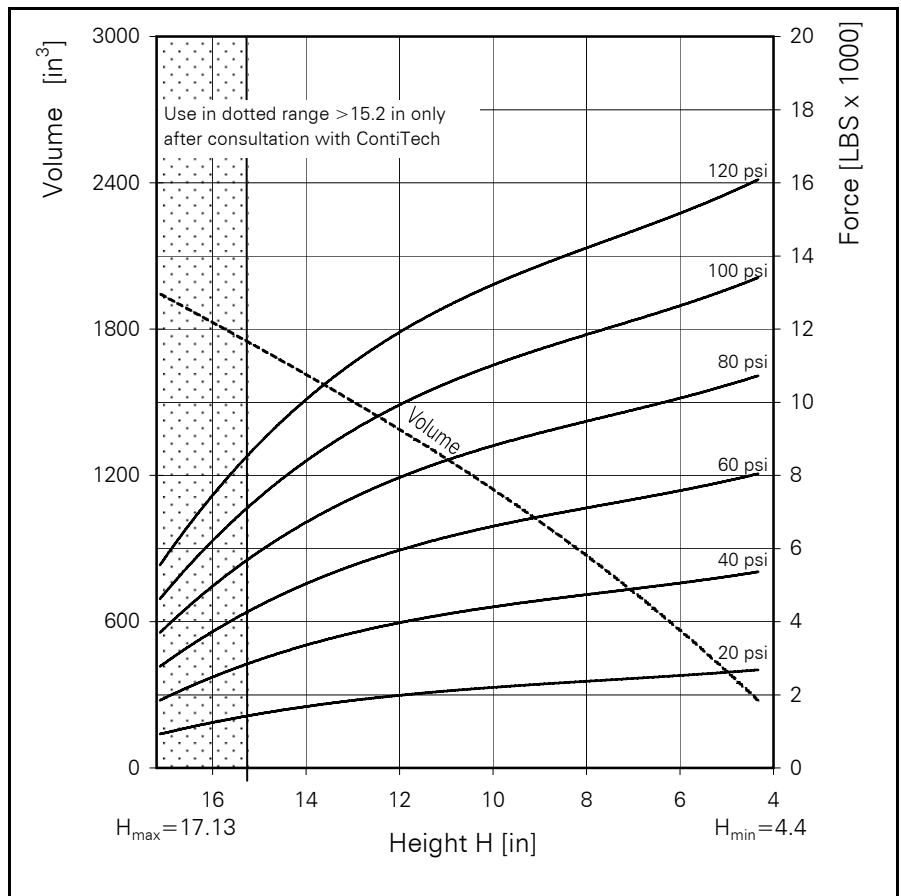


FT 530-32

CONTI® Triple Convolution Air Spring



FT 530-32



Force-height diagram

Purchase order data

Type	Order No.
Rubber bellows only	on request
With clamped plates 1/4 NPT air inlet	on request
With clamped plates 3/4 NPT air inlet	63806

Technical data

Min. pressure	0 psi
Return force to min. height	≤ 112 lbs
Overall weight with clamped plates	17.7 lbs

Additional types on request

Pneumatic application - static characteristic values

Force F [lbs]

Pressure p [psi]	20	40	60	80	100	120	Vol [in ³]
Height H [in] 15	1470	2950	4420	5890	7370	8840	1716
13	1830	3670	5500	7330	9170	11000	1508
11	2100	4200	6300	8400	10500	12600	1272
9	2290	4580	6860	9150	11440	13730	1007
7	2450	4900	7360	9810	12260	14710	719
5	2620	5240	7860	10480	13110	15730	384



Service instructions

3/8-16UNC = 15-20 LBxFT

3/4 NPT = 40-50 LBxFT