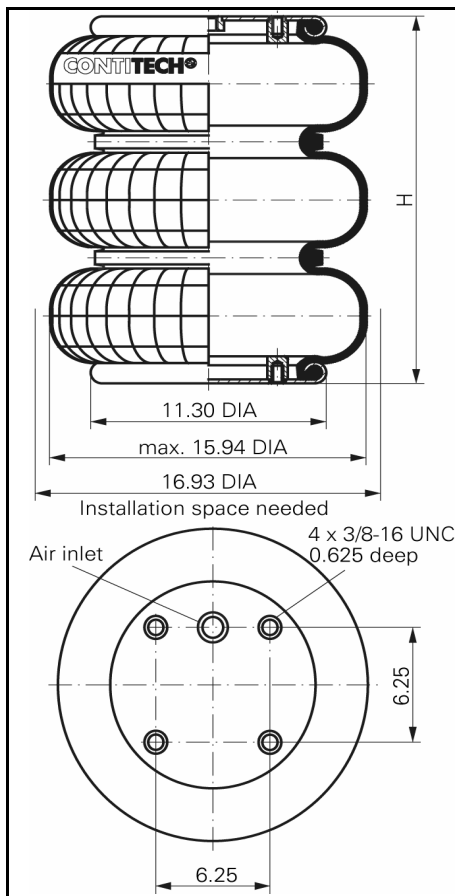
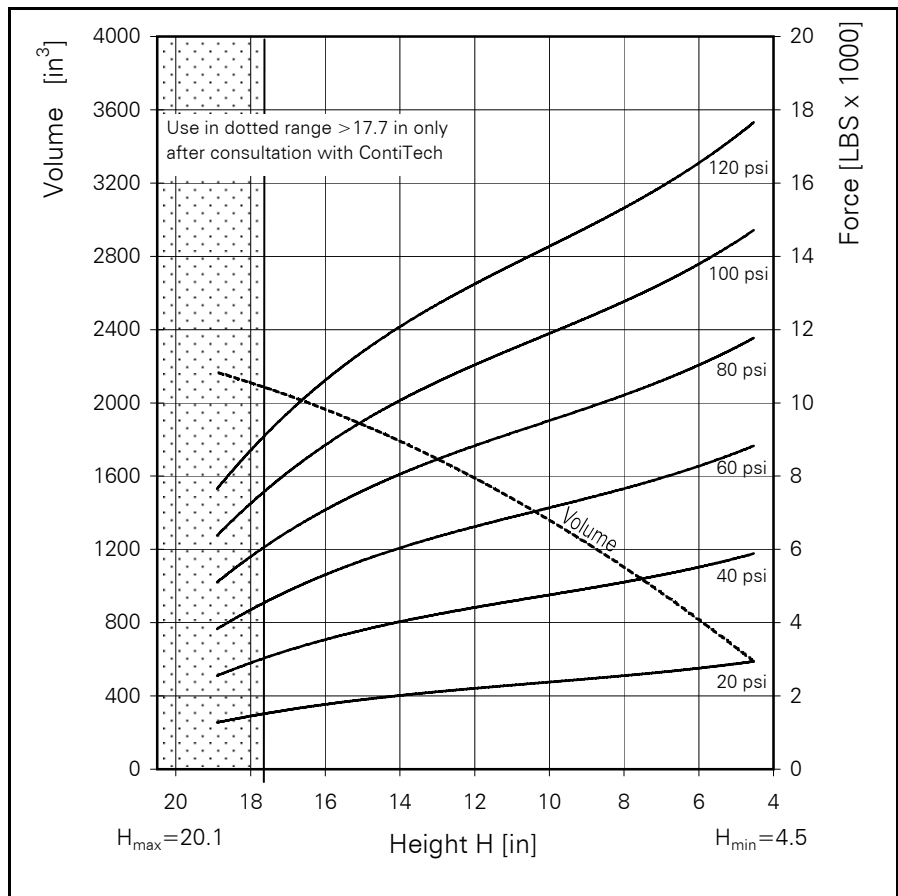


FT 530-35 **CONTI® Triple Convolution Air Spring**



FT 530-35



Force-height diagram

Purchase order data

Type	Order No.
With clamped plates 1/4 NPT air inlet	on request
With clamped plates 3/4 NPT air inlet	on request

Technical data


Min. pressure	0 psi
Return force to min. height	≤ 112 lbs
Overall weight with clamped plates	21 lbs

Additional types on request

Pneumatic application - static characteristic values

Force F [lbs]

Pressure p [psi]	20	40	60	80	100	120	Vol [in ³]
Height H [in] 16	1760	3520	5280	7040	8800	10560	1991
14	2000	4000	6010	8010	10010	12010	1797
12	2220	4430	6650	8860	11080	13290	1574
10	2390	4780	7170	9570	11960	14350	1342
8	2550	5110	7660	10210	12770	15320	1096
6	2740	5490	8230	10970	13710	16460	825

 Service instructions
 3/8-16 UNC = 15-20 LBxFT
 3/4 NPT = 40-50 LBxFT