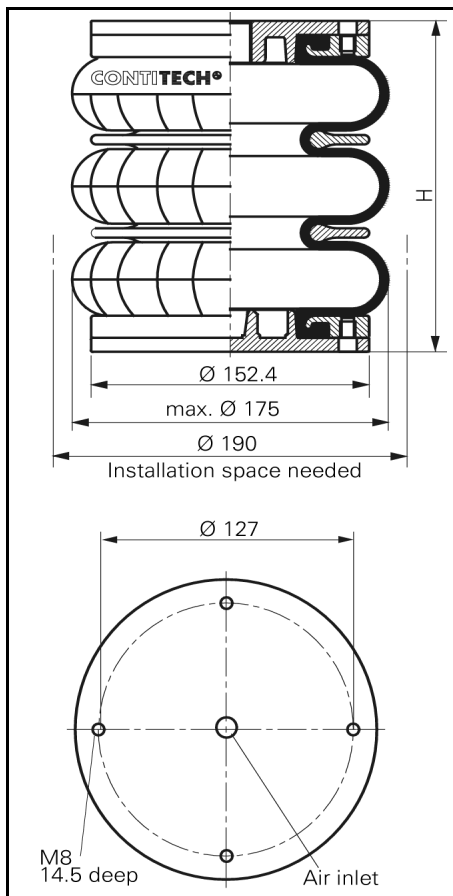
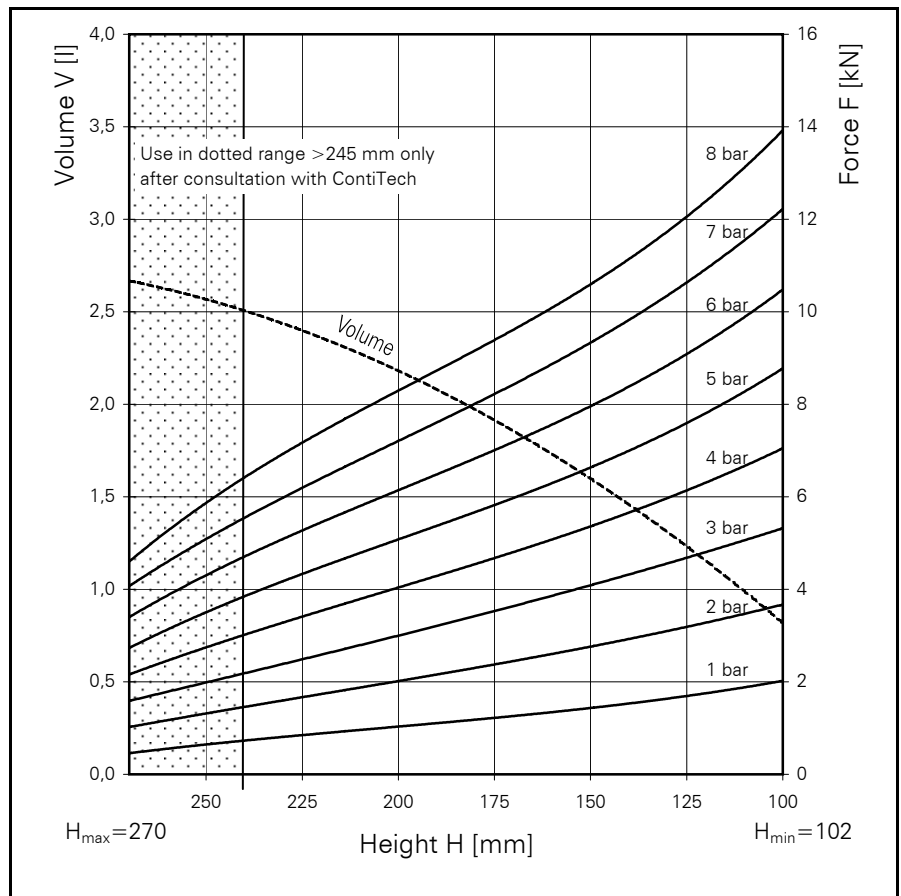


FT 76-20

CONTI® Triple Convolution Air Spring



FT 76-20



Force-height diagram

Purchase order data

Type	Order No.
Rubber bellows only	on request
With aluminium plates	50606
G 1/2 air inlet	

Technical data

Min. pressure	0 bar
Return force to min. height	≤ 190 N
Overall weight with aluminium plates	2.5 kg

Additional types on request

Pneumatic application - static characteristic values

Force F [kN]

Pressure p [bar]	3	4	5	6	7	8	Vol.[l]	
Height H [mm]	225	2.5	3.4	4.3	5.3	6.3	7.2	2.4
	200	3.1	4.1	5.1	6.2	7.2	8.4	2.2
	175	3.5	4.7	5.8	7.0	8.2	9.3	1.9
	150	4.0	5.3	6.6	8.0	9.3	10.6	1.6
	125	4.8	6.2	7.7	9.1	10.7	12.1	1.3



Service instructions

M8 = 20 Nm

G 1/2 = 25 Nm