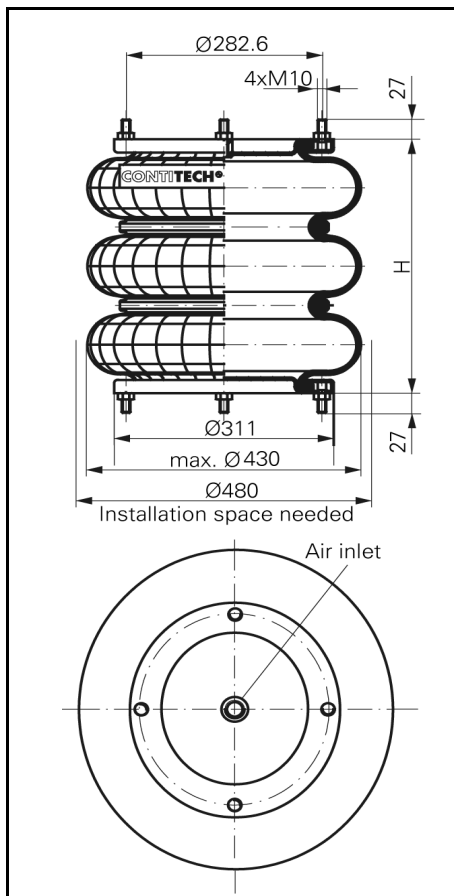
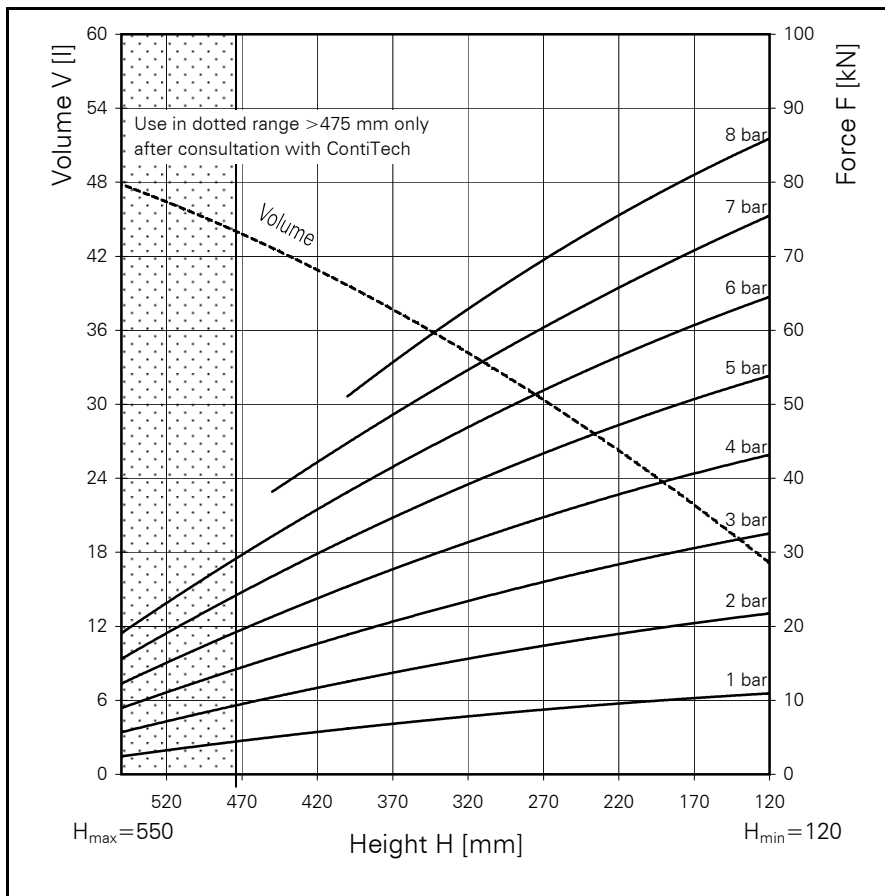


FT 816-40

CONTI® Triple Convolution Air Spring



FT 816-40



Force-height diagram

Purchase order data

Type	Order No.
Rubber bellows only	50697
With removable plates and G 1/2 air inlet	50695

Technical data

Min. pressure	0 bar
Return force to min. height	≤ 100 N
Overall weight with metal plates	13.0 kg

Additional types on request

Pneumatic application - static characteristic values

Force F [kN]

Pressure p [bar]	3	4	5	6	7	8	Vol.[l]	
Height H [mm]	450	16.2	21.6	27.1	33.0	38.4	44.2	43.2
	400	19.1	25.4	31.8	38.3	44.8	51.4	40.2
	350	21.4	29.0	36.1	43.3	50.7	58.1	36.2
	300	23.9	32.4	40.8	48.5	56.4	65.4	32.2
	250	27.1	36.0	45.0	53.6	63.1	72.4	28.7
	200	29.7	39.2	48.7	58.4	68.2	77.9	24.1
	150	31.3	41.6	51.9	62.5	73.0	83.0	19.9



Service instructions
 M10 = 25 Nm
 G 1/2 = 25 Nm