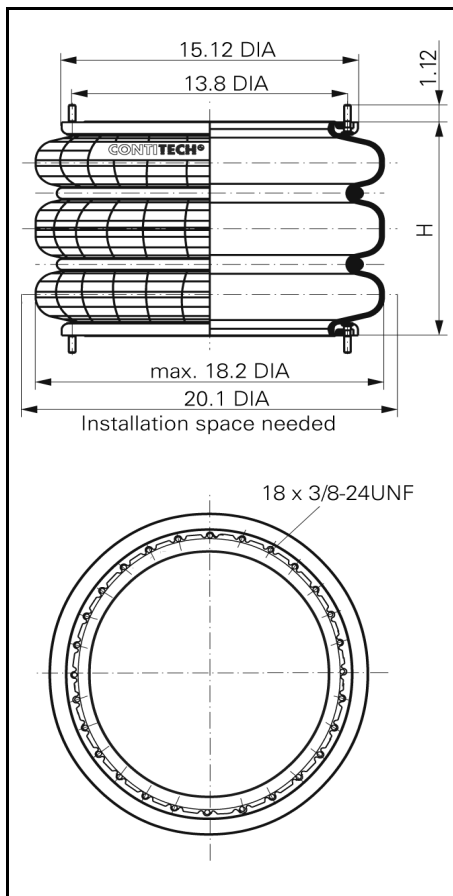
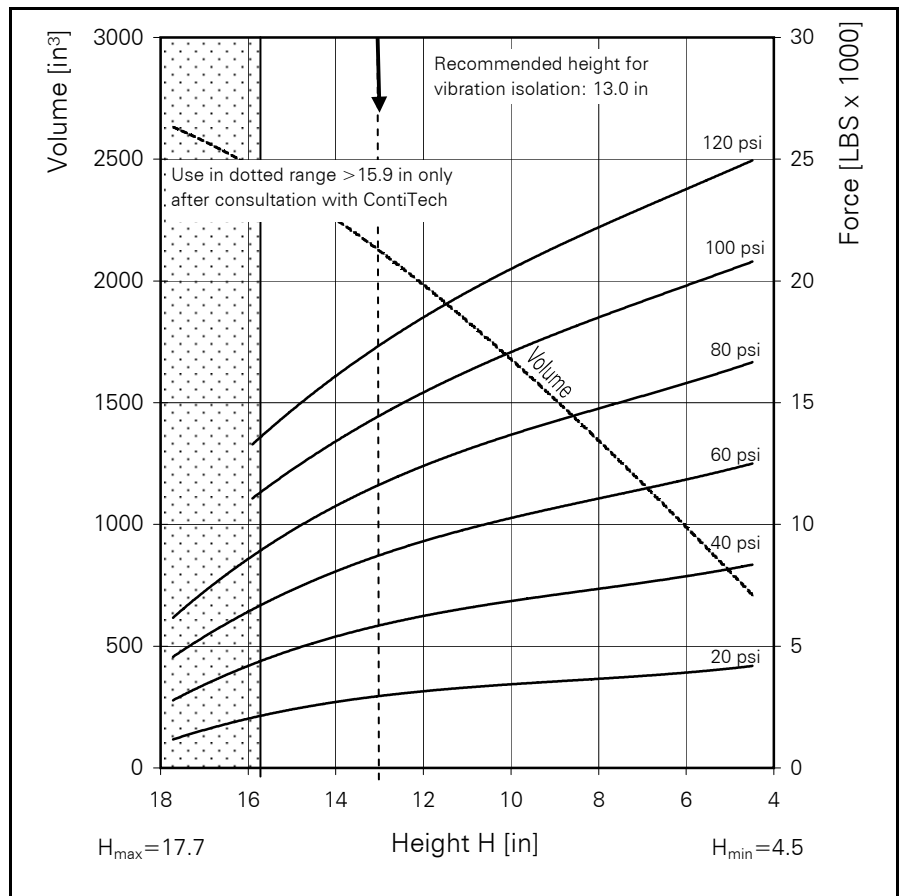


FT 960-34 CONTI® Triple Convolution Air Spring



FT 960-34



Force-height diagram

Purchase order data

Type	Order No.
Rubber bellows only	61777
Bellows with bead rings, 1 7/8 bolts, nuts and washers	on request

Additional types on request

Technical data

Min. pressure	0 psi
Return force to min. height	≤ 135 lbs
Overall weight with bead rings, bolts, nuts and washers	21 lbs

Vibration isolation - dynamic characteristic values

Design height H: recommended 13 inch, minimum 12.4 inch

Pressure p [psi]	40	60	80	100	120		Vol. V [in ³]
Force (Load) [lbs]	5770	8650	11530	14420	17300		2125
Spring rate [lbs/in]	1144	1659	2079	2610	3029		
Natural frequency [Hz]	1.4	1.3	1.3	1.3	1.3		

Pneumatic application - static characteristic values

Force F [lbs]

Pressure p [psi]	20	40	60	80	100	120	Vol [in ³]
Height H [in]	15	2440	4870	7310	9750	12180	2359
	13	2880	5770	8650	11530	14420	2125
	11	3270	6530	9800	13070	16330	1846
	9	3560	7130	10690	14250	17820	1511
	7	3830	7650	11480	15300	19130	1161

Service instructions
3/8-24 UNF = 28-32 LBxFT