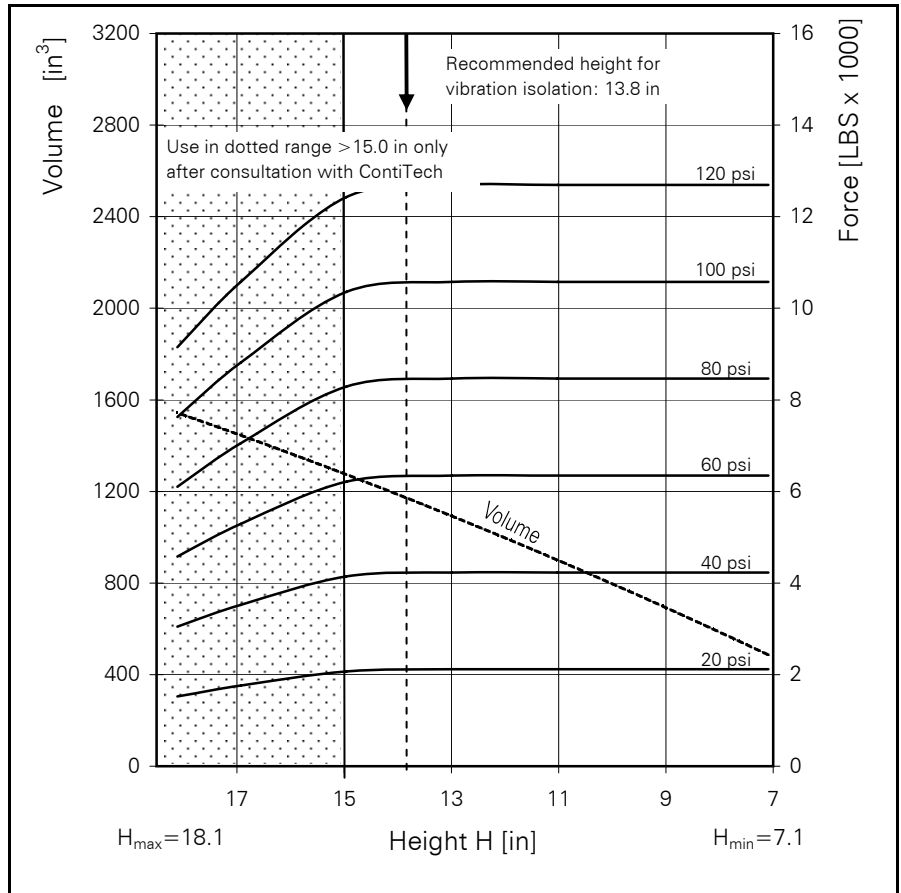
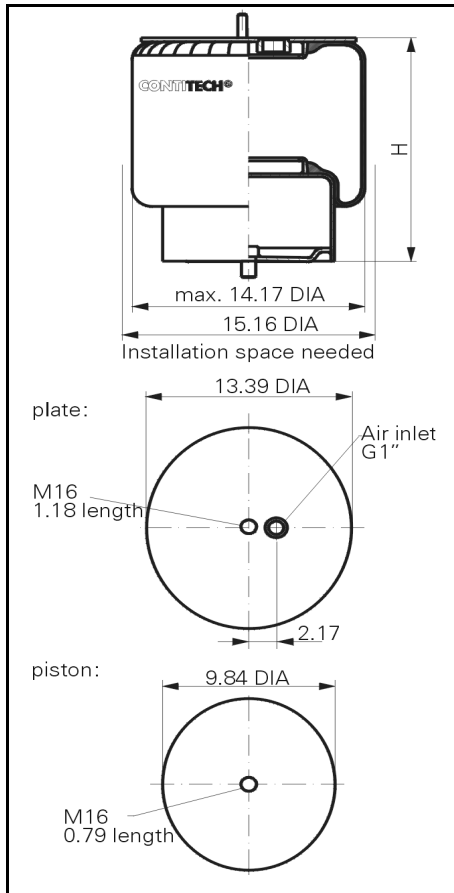


RZ 640-26

CONTI® Rolling Lobe Air Spring



RZ 640-26

Force-height diagram

Purchase order data

Type	Order No.
With G 1 air inlet	2684 098 030

Additional types on request

Technical data

Min. pressure	13 psi
Return force to min. height	≤ 1394 lbs
Overall weight with clamped plates	31 lbs

Vibration isolation - dynamic characteristic values

Design height H: recommended 13,8 inch , lateral guidance necessary

Pressure p [psi]	40	60	80	100	120		Vol. V [in <sup>3</sup> ]
Force (Load) [lbs]	4200	6290	8390	10490	12590		1169
Spring rate [lbs/in]	646	898	1247	1575	1878		
Natural frequency [Hz]	1.3	1.2	1.2	1.2	1.2		

Pneumatic application - static characteristic values

Force F [lbs]

Pressure p [psi]	20	40	60	80	100	120	Vol. V [in <sup>3</sup> ]
Height H [in]	14	2090	4190	6280	8370	10470	1189
	12	2120	4230	6350	8460	10580	988
	10	2120	4230	6350	8460	10580	793
	8	2120	4230	6350	8460	10580	587



Service instructions

M16 = 90 LBxFT

G 1 = 30 LBxFT