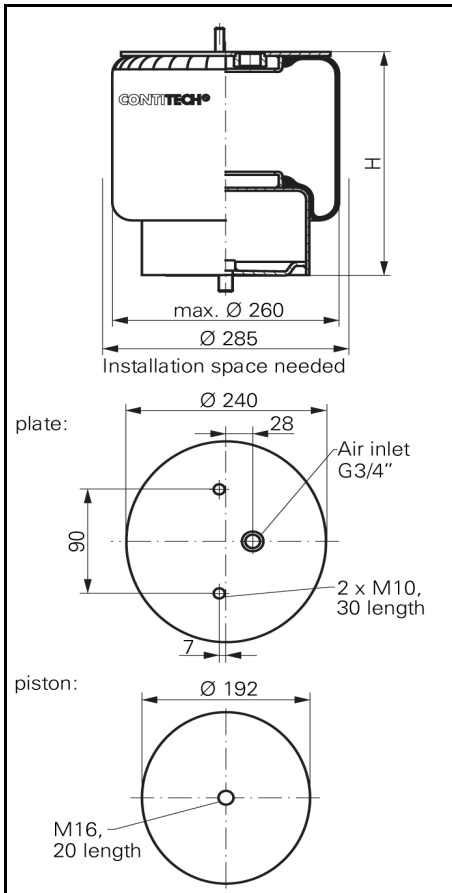
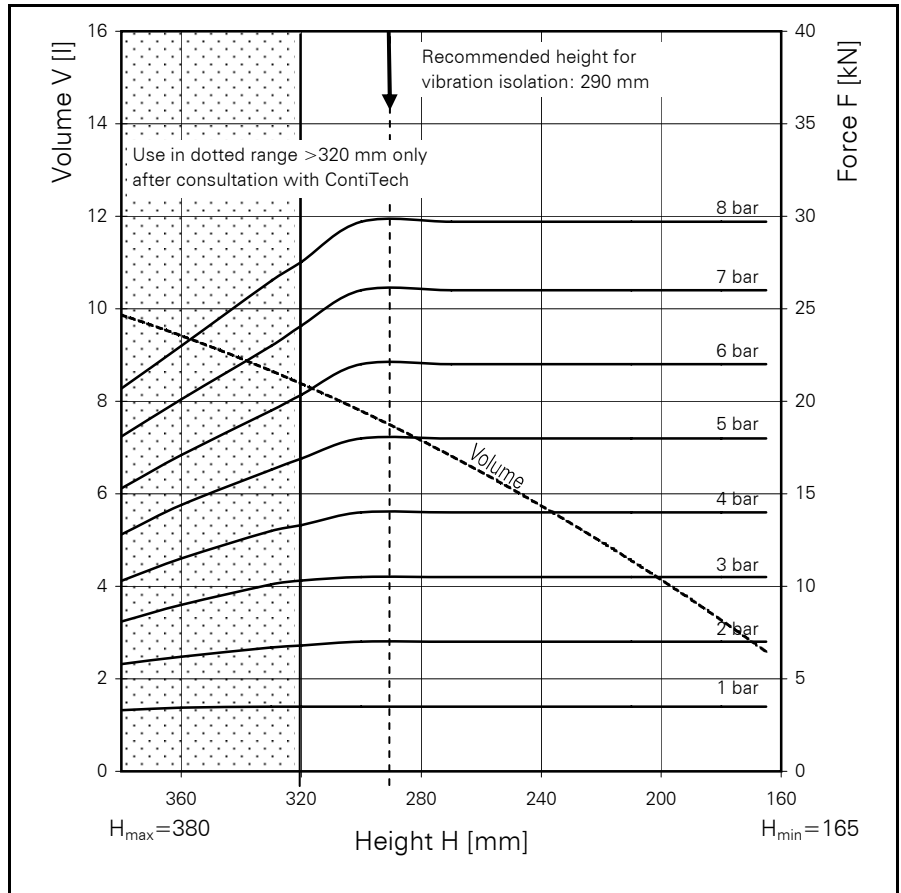


RZ 330-22

CONTI® Rolling Lobe Air Spring



RZ 330-22



Force-height diagram

Purchase order data

Type	Order No.
With G 3/4 air inlet	2684 098 001

Technical data

Min. pressure	0,9 bar
Return force to min. height	≤ 3100 N
Overall weight with clamped plates	8.1 kg

Additional types on request

Vibration isolation - dynamic characteristic values

Design height H: recommended 290mm , lateral guidance necessary

Pressure p [bar]	3	4	5	6	7	8	Vol. V[l]
Force (Load) [kN]	10.5	14.0	18.0	22.0	26.0	29.7	7.4
Spring rate [N/cm]	990	1230	1580	1920	2160	2450	
Natural frequency [Hz]	1.6	1.5	1.5	1.5	1.5	1.5	

Pneumatic application - static characteristic values

Force F [kN]

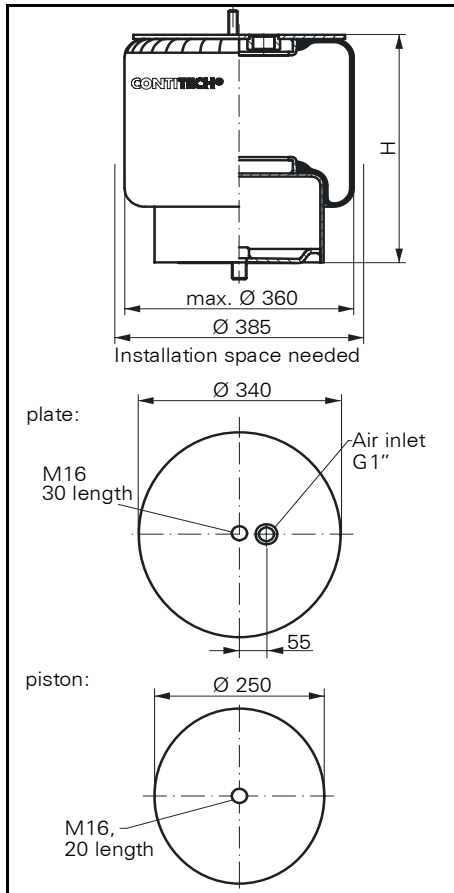
Pressure p [bar]	3	4	5	6	7	8	Vol.[l]	
Height H [mm]	330	10.1	13.0	16.3	19.5	23.0	26.5	8.6
	300	10.5	14.0	18.0	22.0	26.0	29.7	7.8
	270	10.5	14.0	18.0	22.0	26.0	29.7	6.8
	240	10.5	14.0	18.0	22.0	26.0	29.7	5.7
	210	10.5	14.0	18.0	22.0	26.0	29.7	4.7



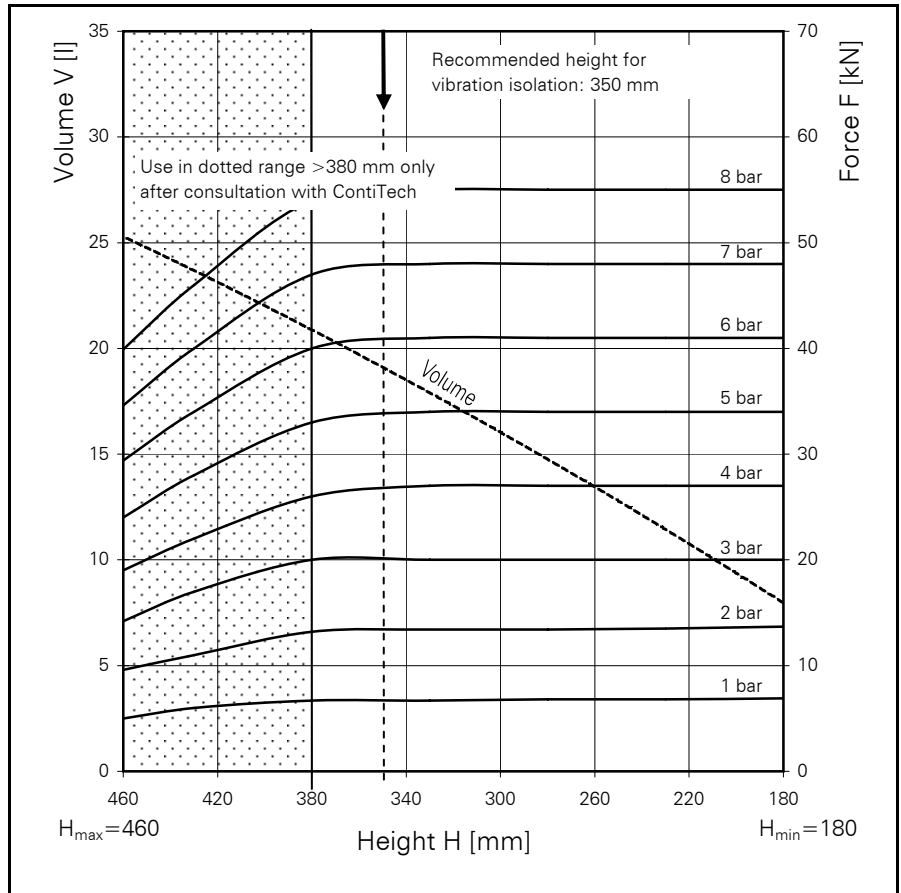
Service instructions
 M10 = 40 Nm
 M16 = 150 Nm
 G 3/4 = 10 Nm

RZ 640-26

CONTI® Rolling Lobe Air Spring



RZ 640-26



Force-height diagram

Purchase order data

Type	Order No.
With G 1" air inlet	2684 098 030

Additional types on request

Technical data

Min. pressure	0,9 bar
Return force to min. height	≤ 6200 N
Overall weight with clamped plates	14.0 kg

Vibration isolation - dynamic characteristic values

Design height H: recommended 350mm , lateral guidance necessary

Pressure p [bar]	3	4	5	6	7	8	Vol. V[l]
Force (Load) [kN]	20.0	26.5	33.5	40.5	47.5	54.2	19.3
Spring rate [N/cm]	1230	1520	1980	2420	2800	3180	
Natural frequency [Hz]	1.3	1.2	1.2	1.2	1.2	1.2	

Pneumatic application - static characteristic values

Force F [kN]

Pressure p [bar]	3	4	5	6	7	8	Vol.[l]	
Height H [mm]	380	20.0	26.0	33.0	40.0	47.0	54.0	21.1
	330	20.0	27.0	34.0	41.0	48.0	55.0	17.8
	280	20.0	27.0	34.0	41.0	48.0	55.0	14.6
	230	20.0	27.0	34.0	41.0	48.0	55.0	11.5
	180	20.0	27.0	34.0	41.0	48.0	55.0	8.0



Service instructions

M16 = 150 Nm

G 1 = 50 Nm