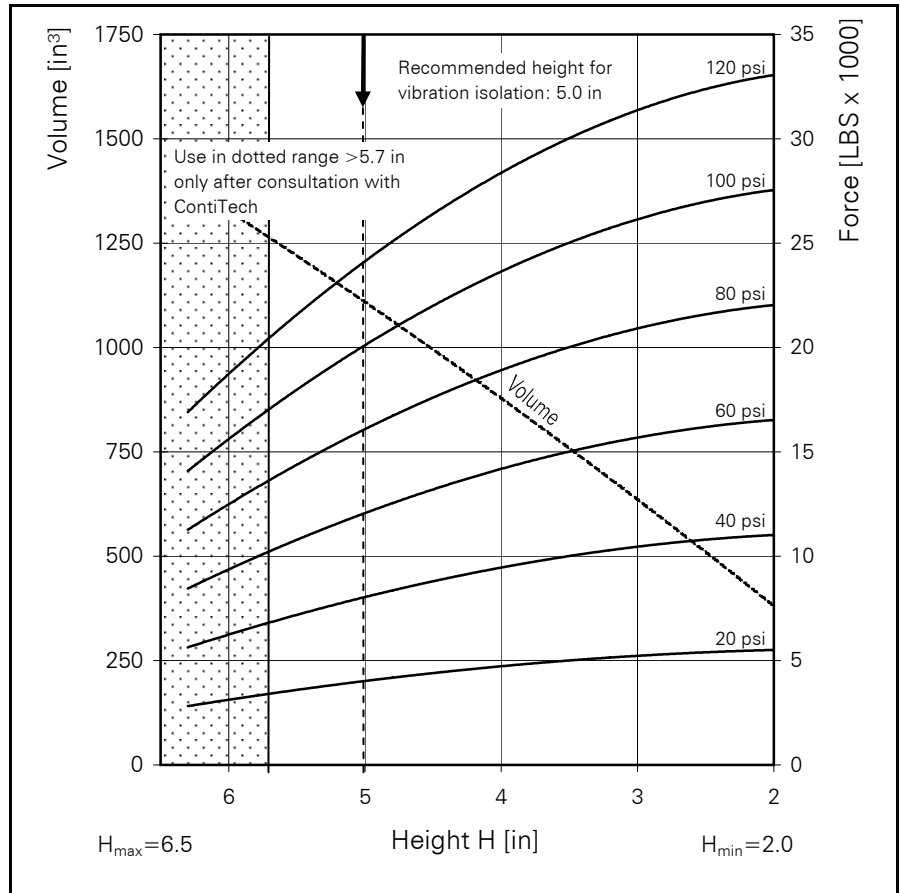
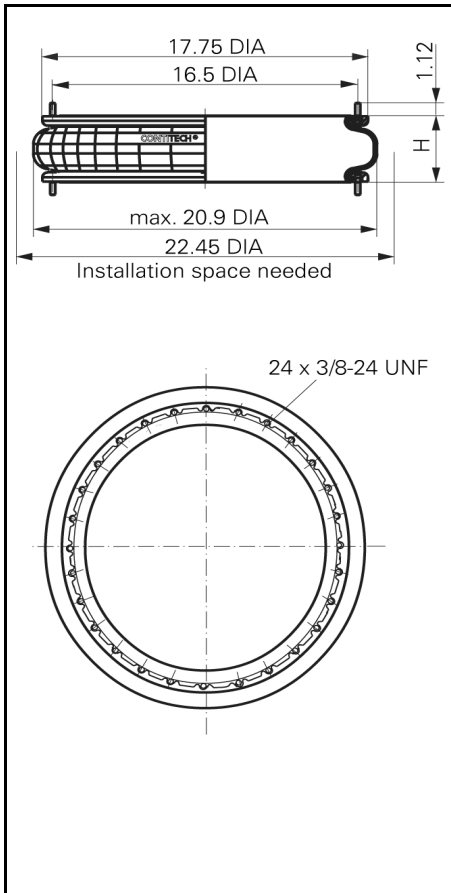


FS 1330-11

CONTI® Single Convolution Air Spring



FS 1330-11

Force-height diagram

Purchase order data

Type	Order No.
Rubber bellows only	61778
Bellows with bead rings, 1 7/8 bolts, nuts and washers	On request

Additional types on request

Technical data

Min. pressure	0 psi
Return force to min. height	≤ 20 lbs
Overall weight with bead rings, bolts, nuts and washers	16.1 lbs

Vibration isolation - dynamic characteristic values

Design height H: recommended 5.0 inch, minimum 4.1 inch

Pressure p [psi]	40	60	80	100	120		Vol. V [in ³]
Force (Load) [lbs]	8040	12060	16080	20100	24120		1114
Spring rate [lbs/in]	4268	6218	8025	9932	11722		
Natural frequency [Hz]	2.2	2.2	2.2	2.2	2.2		

Pneumatic application - static characteristic values

Force F [lbs]

Pressure p [psi]	20	40	60	80	100	120	Vol [in ³]
Height H [in]	5,5	3620	7230	10850	14470	18080	1224
	5	4020	8040	12060	16080	20100	1112
	4,5	4370	8740	13110	17480	21850	994
	4	4720	9440	14150	18870	23590	871
	3,5	5010	10030	15040	20050	25060	766
	3	5240	10480	15720	20970	26210	632



Service instructions

3/8-24 UNF = 28-32 LBxFT