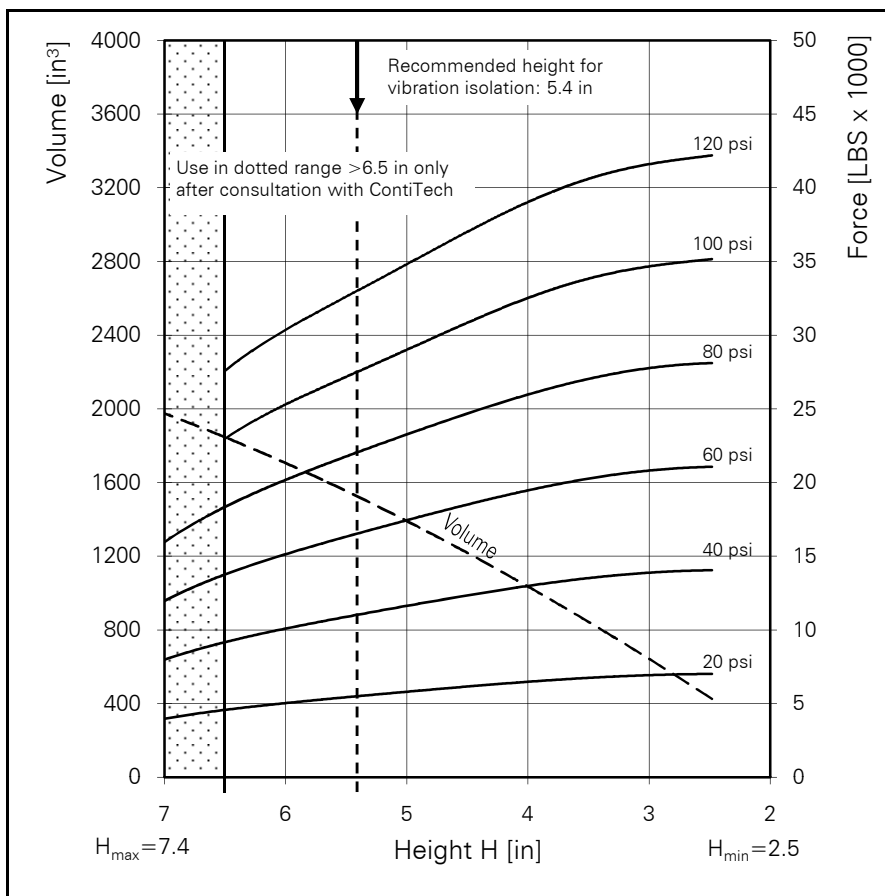
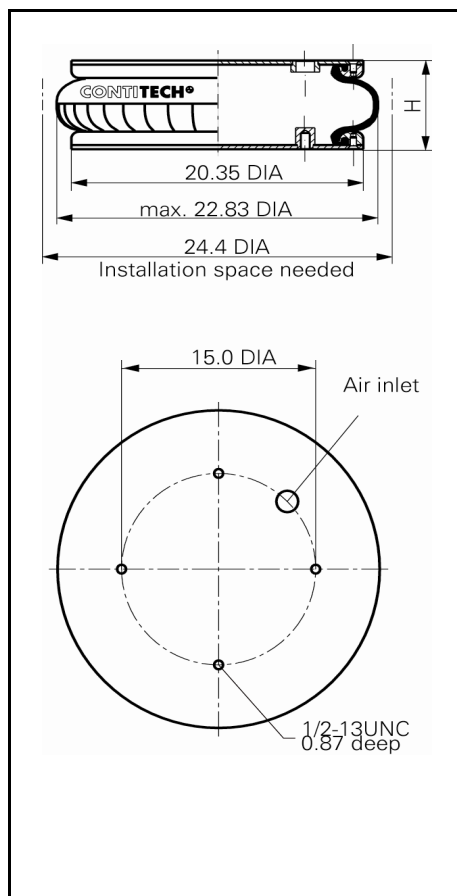


FS 1710-12 AP

CONTI® Single Convolution Air Spring



FS 1710-12 AP

Force-height diagram

Purchase order data

Type	Order No.
Rubber bellows only	61782
Bellows with bead rings and mounting plates	on request
3/4 NPT air inlet	

Additional types on request

Technical data

Min. pressure	0 psi
Return force to min. height	≤ 27 lbs
Overall weight with bead rings, bolts, nuts and washers	86.9 lbs

Vibration isolation - dynamic characteristic values

Design height H: recommended 5,4 inch, minimum 4.8 inch

Pressure p [psi]	40	60	80	100	120		Vol. V [in ³]
Force (Load) [lbs]	11590	17380	23180	28970	34760		1397
Spring rate [lbs/in]	5349	7606	9770	12114	14456		
Natural frequency [Hz]	2.2	2.2	2.1	2.1	2.1		

Pneumatic application - static characteristic values

Force F [lbs]

Pressure p [psi]	20	40	60	80	100	120	Vol [in ³]	
Height H [in]	6.0	5060	10130	15190	20250	25320	30380	1707
	5.0	5790	11590	17380	23180	28970	34760	1397
	4.0	6550	13100	19650	26190	32740	39290	1022
	3.0	6920	13830	20750	27670	34580	41500	648



Service instructions

1/2-13 UNC = 20-30 LBxFT

3/4 NPT = 40-50 LBxFT