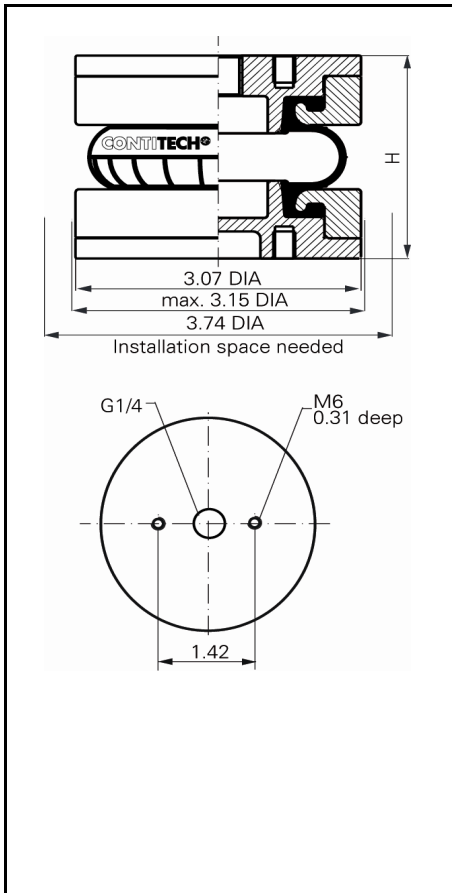
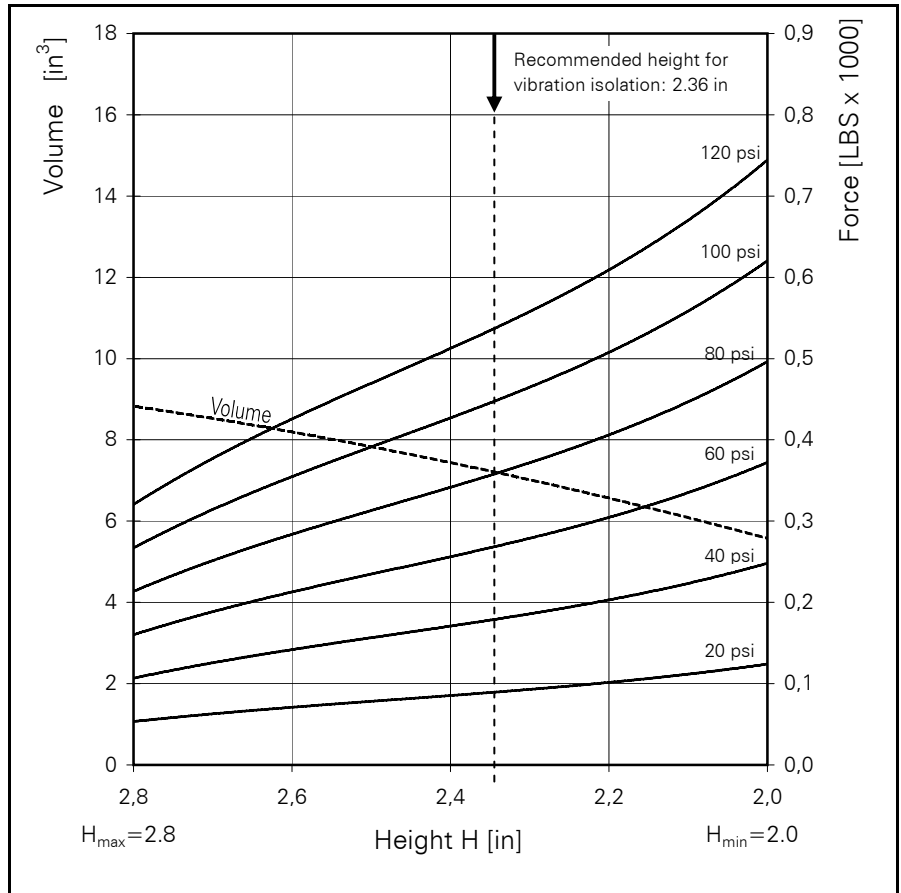


FS 22-3

CONTI® Single Convolution Air Spring



FS 22-3



Force-height diagram

Purchase order data

Type	Order No.
Rubber bellows only	on request
With aluminium plates G 1/4 air inlet	50604

Additional types on request

Technical data

Min. pressure	0 psi
Return force to min. height	≤ 0 lbs
Overall weight with aluminium plates	1.1 lbs

Vibration isolation - dynamic characteristic values

Design height H: recommended 2.36 inch, minimum 2.17 inch

Pressure p [psi]	40	60	80	100	120		Vol [in ³] 7.1
Force (Load) [lbs]	180	270	360	450	540		
Spring rate [lbs/in]	333	484	627	770	927		
Natural frequency [Hz]	4.3	4.2	4.2	4.1	4.1		

Pneumatic application - static characteristic values

Force F [lbs]

Pressure p [psi]	20	40	60	80	100	120	Vol [in ³]	
Height H [in]	2.8	50	110	160	210	260	320	9
	2.6	70	140	210	280	350	420	8
	2.4	90	170	260	340	430	510	7
	2.2	100	200	310	410	510	610	6



Service instructions

M6 = 11 LBxFT

G 1/4 = 16-18 LBxFT