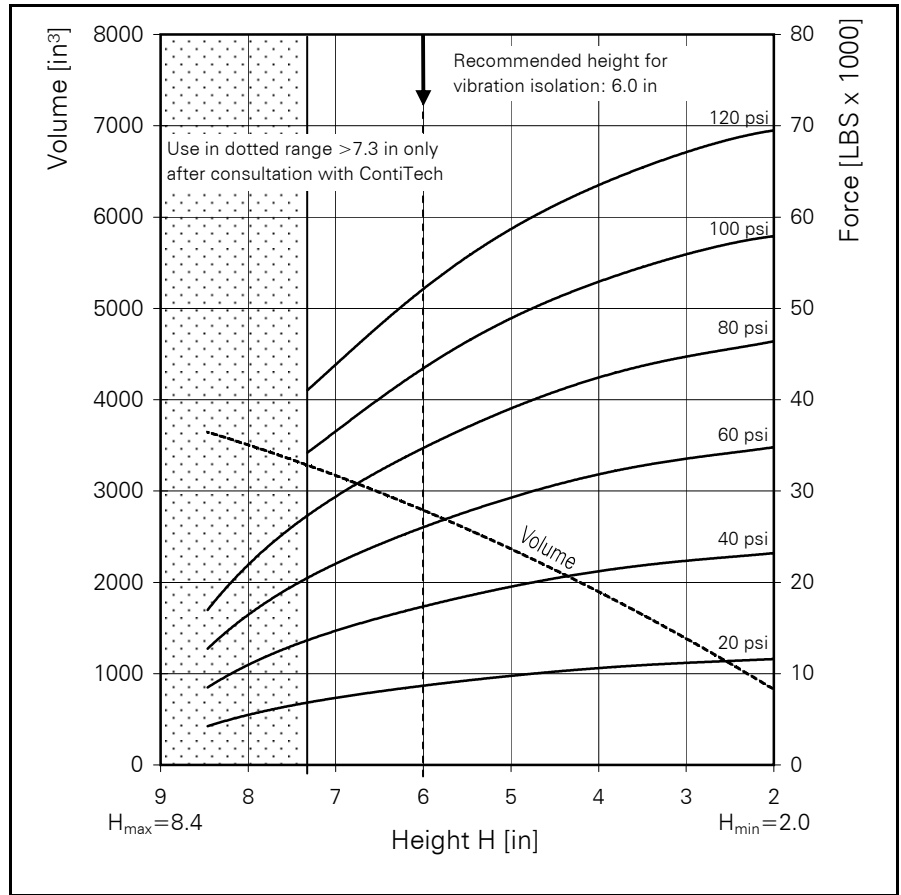
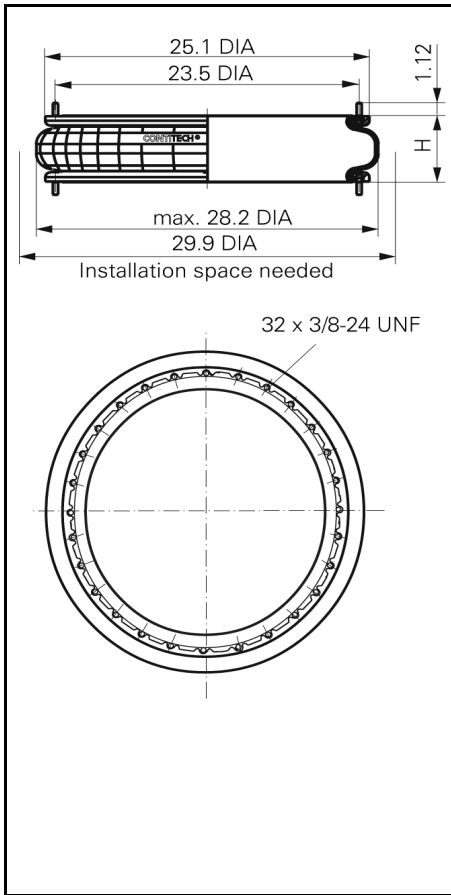


FS 2870-16

CONTI® Single Convolution Air Spring



FS 2870-16

Force-height-diagram

Purchase order data

Technical data

Type	Order No.
Rubber bellows only	61788
Bellows with bead rings, 1 7/8 bolts, nuts and washers	on request

Min. pressure	0 psi
Return force to min. height	≤ 151 lbs
Overall weight with bead rings, bolts, nuts and washers	24.5 lbs

Additional types on request

Vibration isolation - dynamic characteristic values


Design height H: recommended 6.0 inch, minimum 5.1 inch

Pressure p [psi]	40	60	80	100	120		Vol. V [in ³]
Force (Load) [lbs]	17290	25940	34580	43230	51870		2797
Spring rate [lbs/in]	7380	10405	13461	16000	18543		
Natural frequency [Hz]	2.0	2.0	1.9	1.9	1.9		

Pneumatic application - static characteristic values

Force F [lbs]

Pressure p [psi]	20	40	60	80	100	120	Vol [in ³]	
Height H [in]	7	7340	14680	22020	29370	36710	44050	3173
	6	8650	17290	25940	34580	43230	51870	2797
	5	9790	19570	29360	39140	48930	58720	2371
	4	10560	21130	31690	42250	52820	63380	1865
	3	11160	22330	33490	44650	55810	66980	1364

 Service instructions
3/8-24 UNF = 28-32 LBxFT