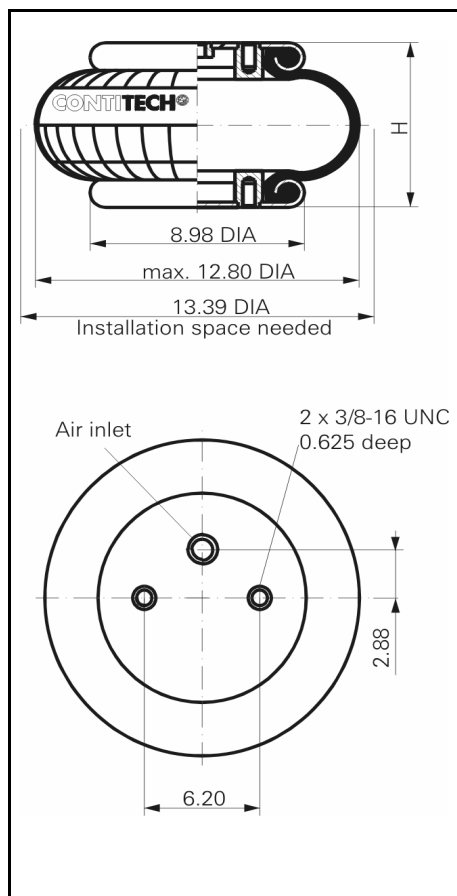
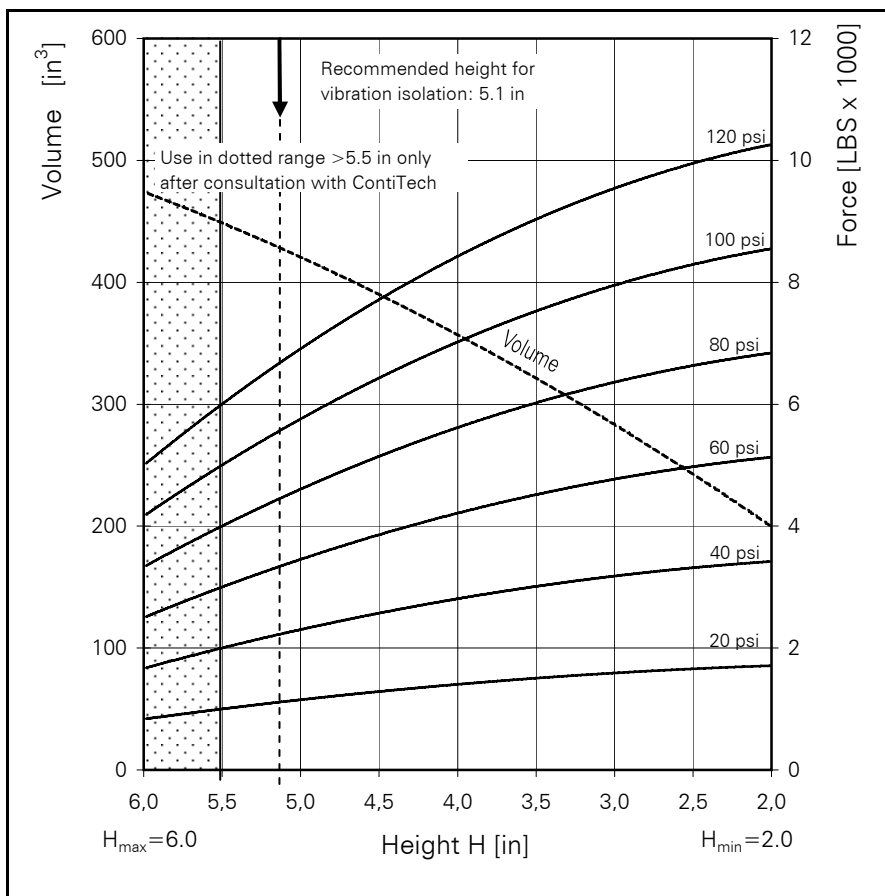


FS 330-11

CONTI® Single Convolution Air Spring



FS 330-11



Force-height diagram

Purchase order data

Type	Order No.
Rubber bellows only	60314
With clamped plates 1/4 NPT air inlet 2.88 Inch excentrical	63012
With clamped plates 3/4 NPT air inlet 2.88 Inch excentrical	65530

Additional types on request

Technical data

Min. pressure	0 psi
Return force to min. height	≤ 67 lbs
Overall weight with clamped plates	9.1 lbs

Vibration isolation - dynamic characteristic values

Design height H: recommended 5.1 inch, minimum 3.9 inch

Pressure p [psi]	40	60	80	100	120		Vol. V [in ³]
Force (Load) [lbs]	2450	3680	4900	6130	7350		424
Spring rate [lbs/in]	1388	1943	2479	2939	3466		
Natural frequency [Hz]	2.4	2.3	2.2	2.2	2.2		

Pneumatic application - static characteristic values

Force F [lbs]

Pressure p [psi]	20	40	60	80	100	120	Vol [in ³]	
Height H [in]	5	1150	2300	3450	4600	5760	6910	419
	4	1400	2800	4210	5610	7010	8410	358
	3	1590	3180	4760	6350	7940	9530	281



Service instructions

3/8 - 16 UNC = 15-20 LBxFT

3/4 NPT = 40-50 LBxFT