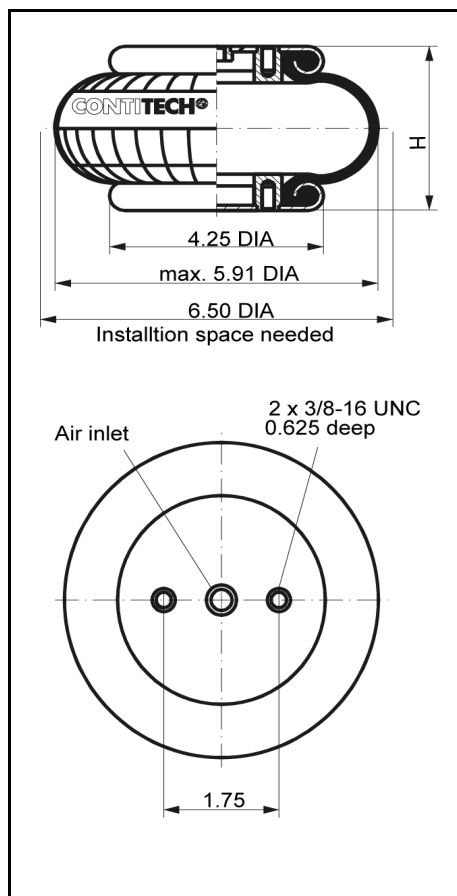
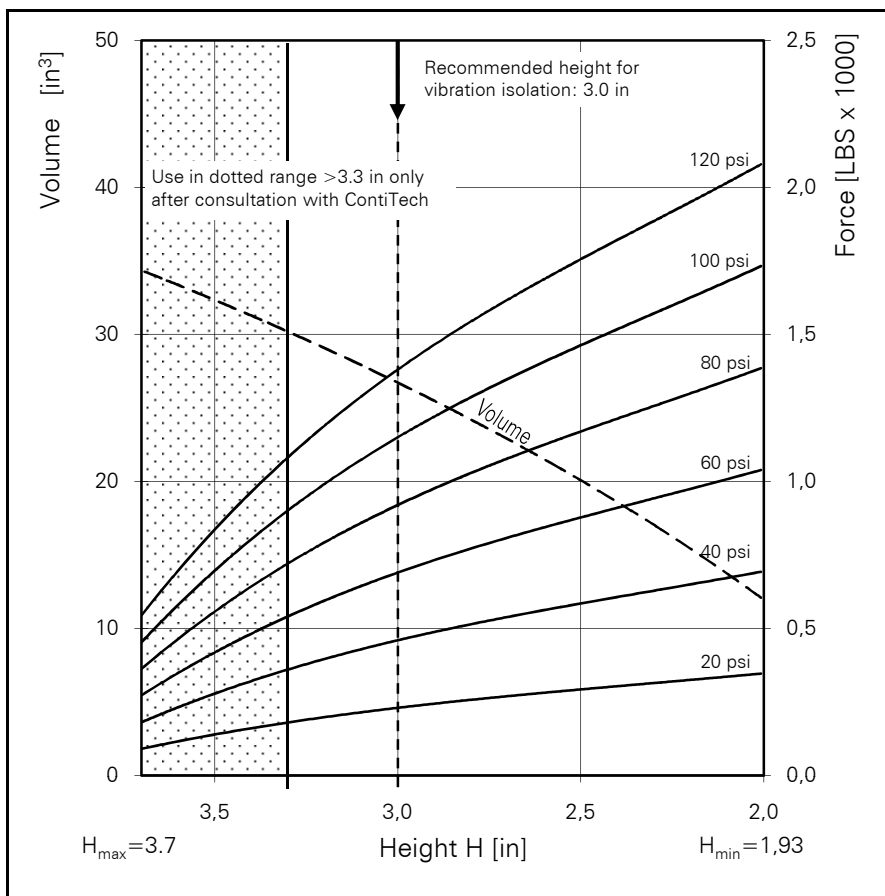


FS 50-5 LF

CONTI® Single Convolution Air Spring



FS 50-5 LF



Force-height diagram

Purchase order data

Type	Order No.
Rubber bellows only	on request
With clamped plates 1/4 NPT air inlet	on request

Additional types on request

Technical data

Min. pressure	0 psi
Return force to min. height	≤ 8 lbs
Overall weight with clamped plates	2.7 lbs

Vibration isolation - dynamic characteristic values

Design height H: recommended 3.0 inch, minimum 2.7 inch

Pressure p [psi]	40	60	80	100	120		Vol [in ³]
Force (Load) [lbs]	460	680	910	1140	1370		24
Spring rate [lbs/in]	793	1128	1442	1710	1972		
Natural frequency [Hz]	3.9	3.8	3.7	3.7	3.6		

Pneumatic application - static characteristic values

Force F [lbs]

Pressure p [psi]	20	40	60	80	100	120	Vol [in ³]
Height H [in]	3	230	460	680	910	1140	24
	2.5	290	580	880	1170	1460	20
	2	350	690	1040	1390	1740	12



Service instructions

3/8 - 16 UNC = 15-20 LBxFT

1/4 NPT = 12-15 LBxFT