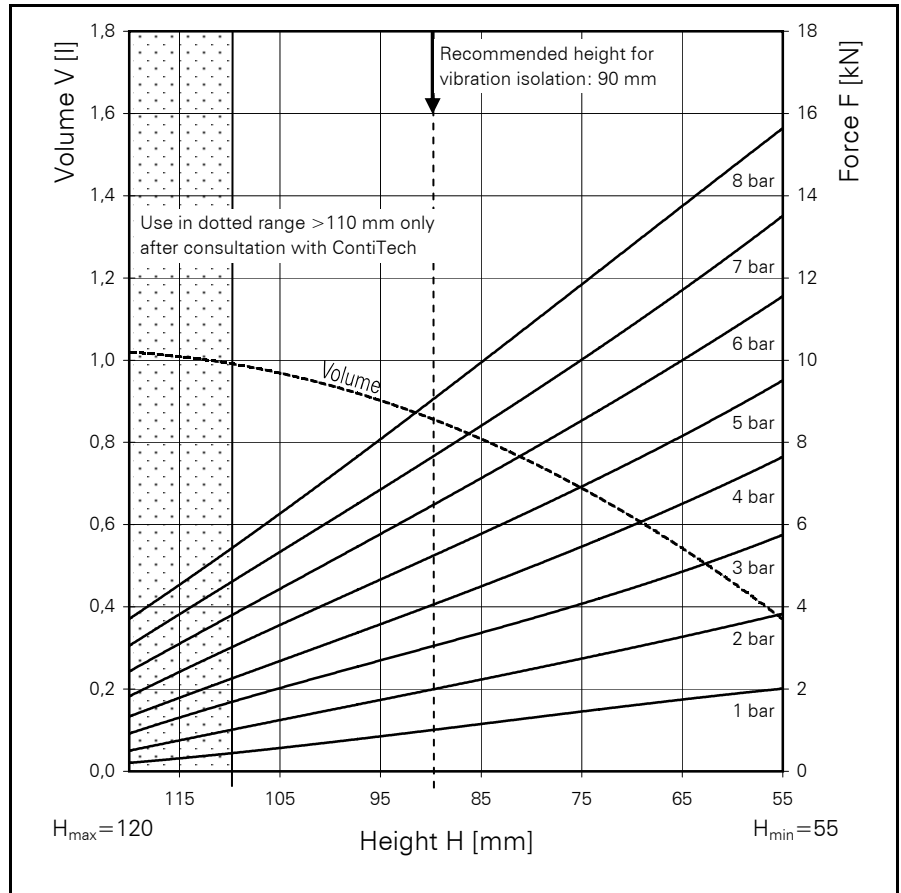
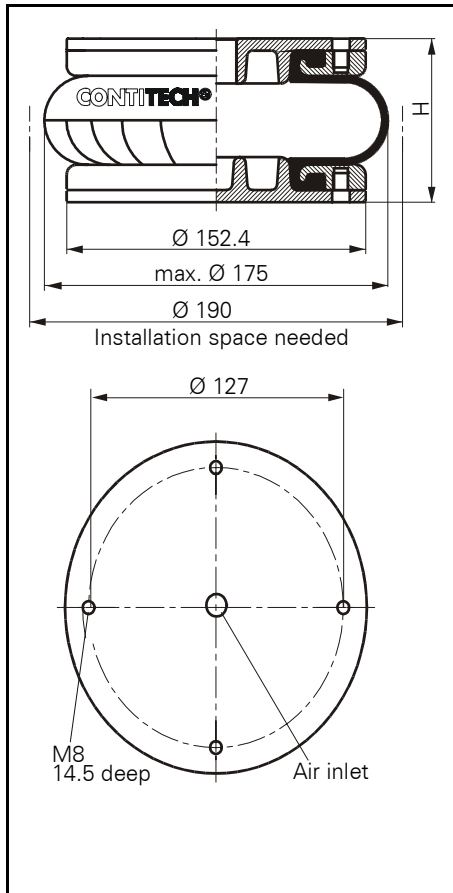


**FS 76-7**

**CONTI® Single Convolution Air Spring**



FS 76-7

Force-height diagram

**Purchase order data**

Type	Order No.
Rubber bellows only	on request
With aluminium plates	50587
G 1/2 air inlet	

Additional types on request

**Technical data**

Min. pressure	0 bar
Return force to min. height	≤ 140 N
Overall weight plates	1.65 kg

**Vibration isolation - dynamic characteristic values**

Design height H: recommended 90mm, minimum 75mm

Pressure p [bar]	3	4	5	6	7	8	Vol V[l]
Force (Load) [kN]	2.9	4.0	5.0	6.1	7.2	8.3	
Spring rate [N/cm]	1250	1655	1995	2375	2740	3115	
Natural frequency [Hz]	3.3	3.2	3.1	3.1	3.1	3.1	

**Pneumatic application - static characteristic values**

Force F [kN]

Pressure p [bar]	3	4	5	6	7	8	Vol.[l]	
Height H [mm]	100	2.4	3.2	4.1	5.2	6.1		7.2
	90	3.0	4.0	5.2	6.4	7.5		8.9
	80	3.7	4.9	6.3	7.8	9.2		10.9
	70	4.5	6.0	7.6	9.3	10.9		12.8
	60	5.4	7.2	8.8	10.9	12.7		14.9



Service instructions

M8 = 20 Nm

G 1/2 = 25 Nm