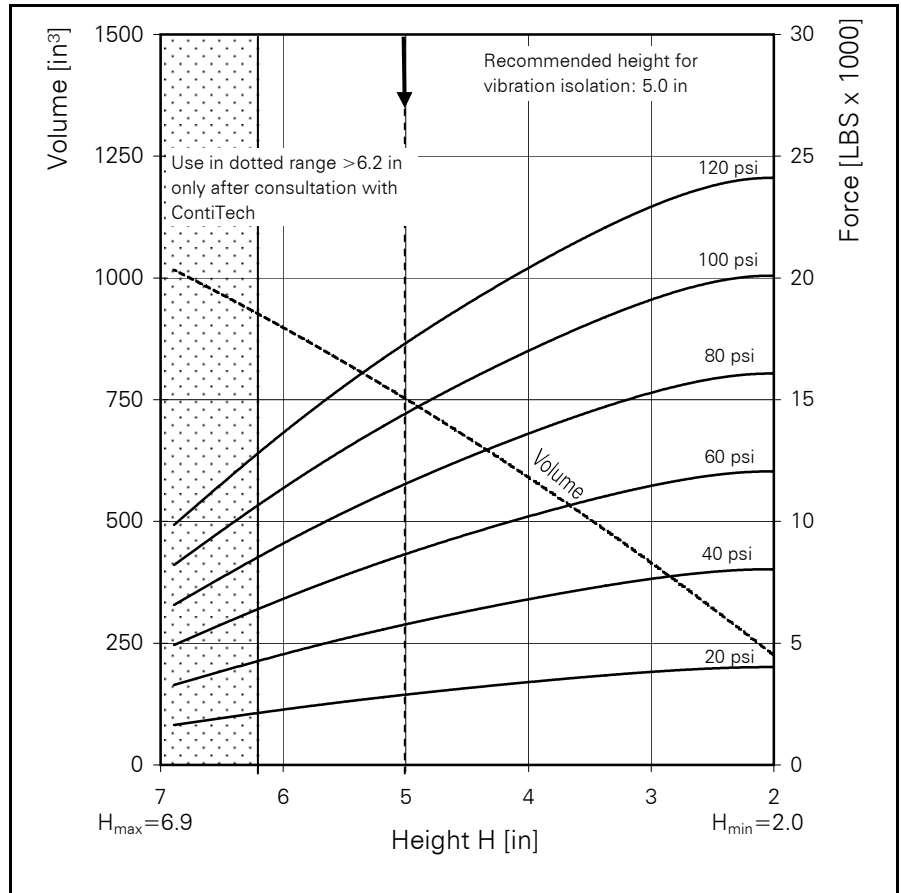
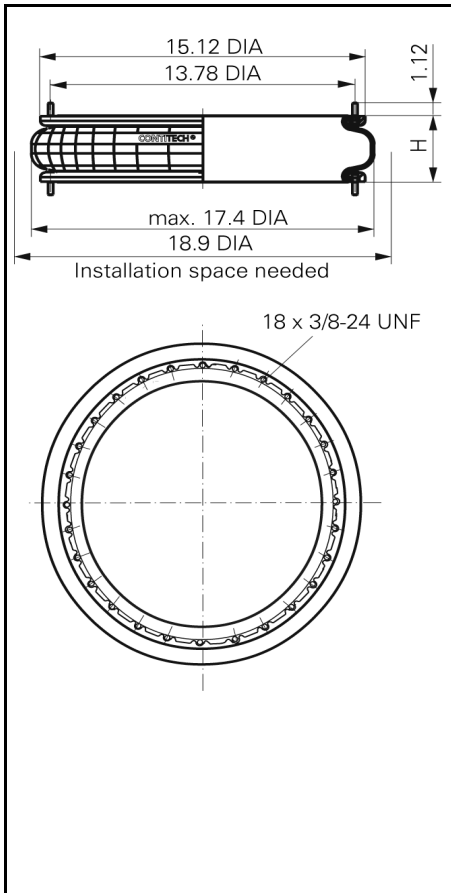


**FS 960-12**

**CONTI® Single Convolution Air Spring**



FS 960-12

Force-height diagram

**Purchase order data**

**Technical data**

Type	Order No.
Rubber bellows only	61775
Bellows with bead rings, 1 7/8 bolts, nuts and washers	62977

Min. pressure	0 psi
Return force to min. height	≤ 22 lbs
Overall weight with bead rings, bolts, nuts and washers	11 lbs

Additional types on request

**Vibration isolation - dynamic characteristic values**


Design height H: recommended 5 inch, minimum 4,33 inch

Pressure p [psi]	40	60	80	100	120		Vol. V [in <sup>3</sup> ]
Force (Load) [lbs]	5780	8660	11550	14440	17330		754
Spring rate [lbs/in]	3123	4529	5820	7176	8580		
Natural frequency [Hz]	2.2	2.2	2.2	2.2	2.2		

**Pneumatic application - static characteristic values**

Force F [lbs]

Pressure p [psi]	20	40	60	80	100	120	Vol [in <sup>3</sup> ]	
Height H [in]	6.0	2270	4530	6800	9070	11330	13600	899
	5.5	2610	5210	7820	10430	13040	15640	822
	5.0	2890	5780	8660	11550	14440	17330	754
	4.5	3150	6300	9450	12600	15750	18900	675
	4.0	3390	6780	10170	13570	16960	20350	591
	3.5	3640	7270	10910	14550	18180	21820	500
	3.0	3820	7640	11460	15280	19100	22920	412

 Service instructions  
3/8-24 UNF = 28-32 LBxFT